


APPROVED SHEET

客 户
CUSTOMER: _____
客 户 料 号
CUSTOMER P/N: _____
料 号
S12802BA
JWD P/N: _____
编 号
SPEC NO. _____
版 本
R0
描 述
REV: _____
DESCRIPTION: 10/100 BASE-TX
Meet AEC-Q200 Standard
BMS Application
Automotive Application

CUSTOMER APPROVAL		COMPANY APPROVAL	
			
INSPECTED BY:		ISSUED BY:	Bob
CHECKED BY:		CHECKED BY:	/
APPROVED BY:		APPROVED BY:	Focus
APPROVED DATE:		ISSUED DATE:	2021/8/19

Please Return One Copy to Us After Approved,TKS! (承认后请回寄一份,谢谢)



四川经纬达科技集团有限公司

Sichuan Jingweida Technology Group Co., Ltd

地址: 四川省绵阳市高新区永兴镇工业园

ADD: Yongxing Industrial Park of High-tech Zone In Mianyang City, Sichuan Province

TEL: +86-816-2561202 FAX: +86-816-2562518

E-MAIL: myjwd@myjwd.com

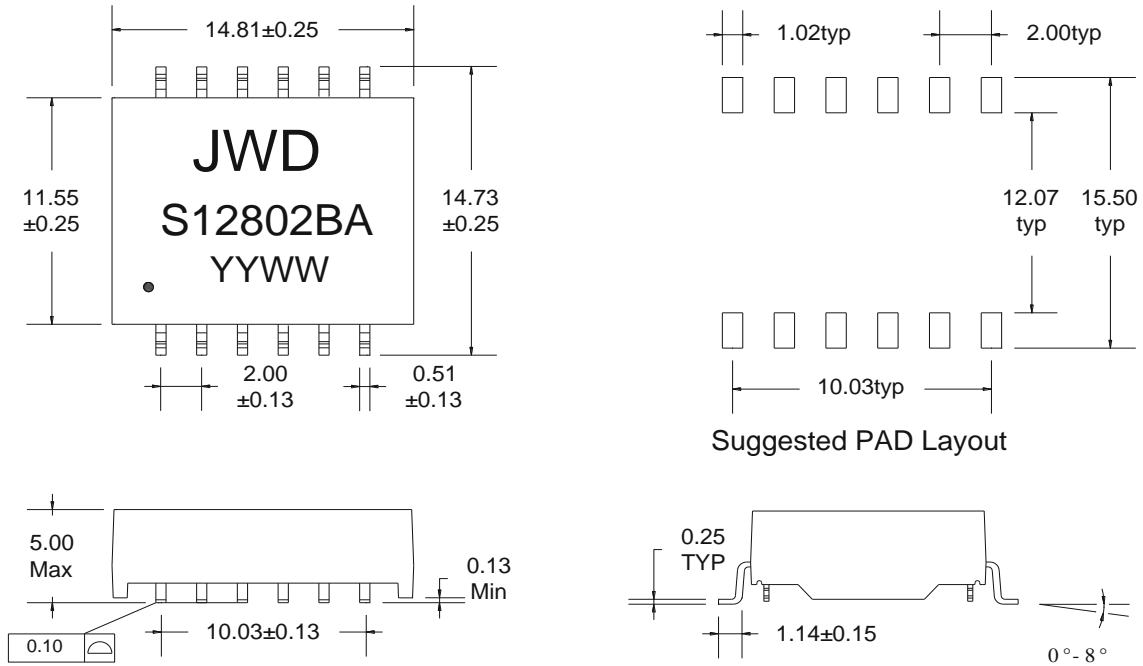
WEB: www.myjwd.com



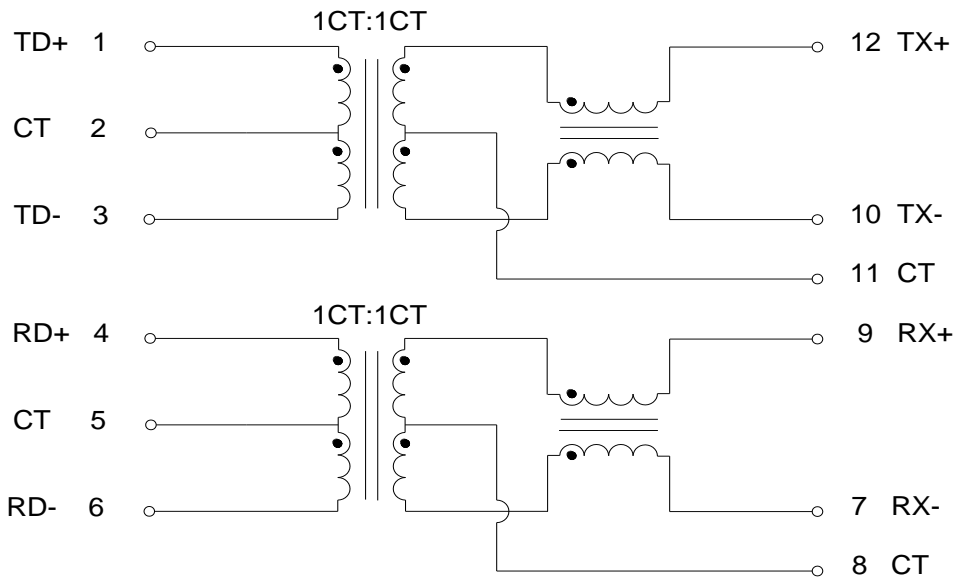
四川经纬达科技集团有限公司

Sichuan Jingweida Technology Group Co., Ltd

A. MECHANICAL(unit:mm)



B. SCHEMATICS



DESCRIPTION	JWD P/N	SPEC NO.	REV: R0
10/100 BASE-TX	S12802BA	JWD-PA-4692	PAGE: 2/3



四川经纬达科技集团有限公司

Sichuan Jingweida Technology Group Co., Ltd

C. ELECTRICAL SPECIFICATIONS @25°C

1. OCL: 150uH~450uH @100 KHz, 0.1V(-40°C ~ +125°C)
2. Leakage Inductance: 0.5uH Max @ 100KHz, 0.1V
3. DCR: Transformer side: 450mΩ Max
CM choke side: 850mΩ Max
4. Turns Ratio: 1CT:1CT±2%
5. Insertion Loss: -0.25 dB Max @ 4 MHz
6. Return Loss: -22 dB Min @ 4 MHz
7. Cross Talk(Between each channe): -50 dB Min @ 1-10 MHz
-50+20*LOG₁₀(f/10) dB Min @ 10-100 MHz
8. Common Mode Rejection Ratio: -45 dB Min @ 1-100 MHz
-35 dB Min @ 100-200 MHz
9. Isolation Hipot: 4300VDC 1mA 60S
10. Operating temperature -40°C to +125°C
11. Storage temperature -40°C to +125°C
12. Design construction: Functional insulation
13. Working voltage: 1600VDC
14. RoHS Compliant

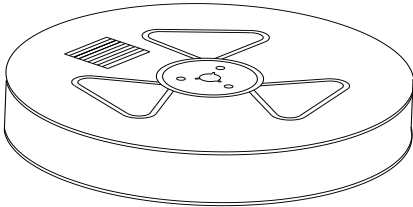
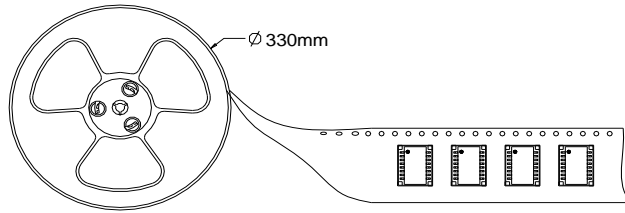
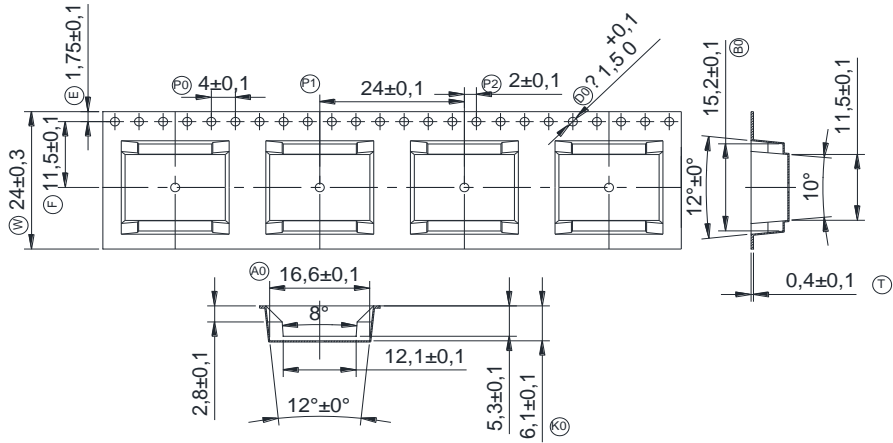
DESCRIPTION	JWD P/N	SPEC NO.	REV: R0
10/100 BASE-TX	S12802BA	JWD-PA-4692	PAGE: 3/3



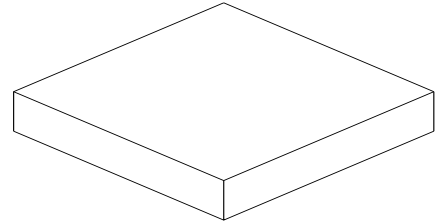
四川经纬达科技集团有限公司

Sichuan Jingweida Technology Group Co., Ltd

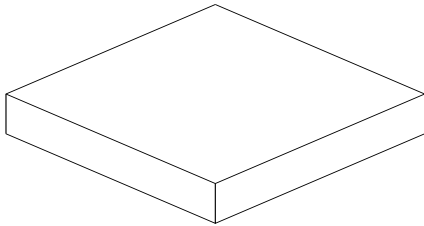
D. PACKAGE INFORMATION



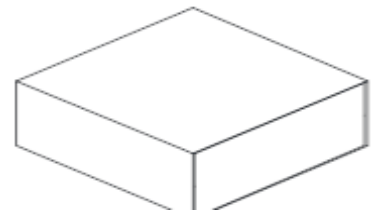
Three Reel



Inner Carton



Two Inner Carton



Export Carton

Package Quantity:

One Reel=400Pcs

One Inner Carton=400*3=1200Pcs

One Export Carton=1200*2=2400Pcs

DESCRIPTION	JWD P/N	SPEC NO	REV: R0
10/100 BASE-TX	S12802BA		PAGE: 3/3