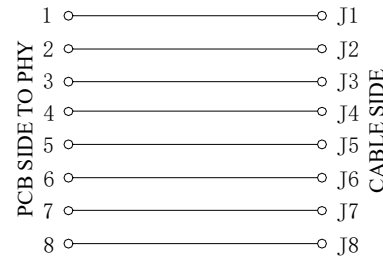
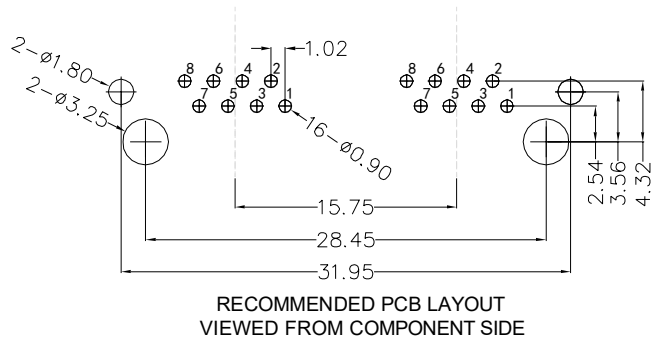
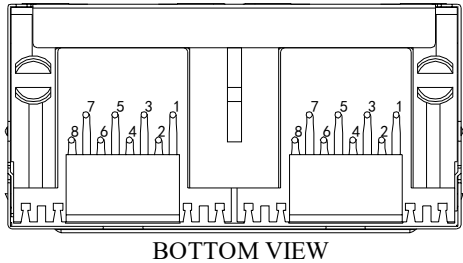
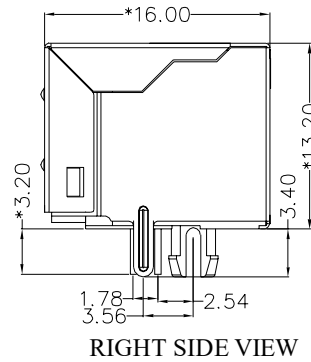
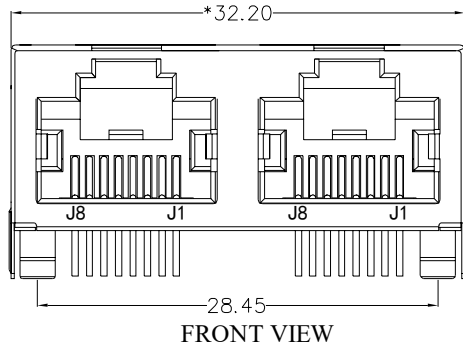


REACH & RoHS
COMPLIANT

| REV. | ECN / DESCRIPTION | BY | DATE |
|------|------------------------|-------|------------|
| A0 | NEW | MQ.QU | 2017.09.23 |
| A1 | MODIFY MODEL STRUCTURE | MQ.QU | 2018.06.06 |



MATERIAL:

HOUSING: PA46,UL94V-0,BLACK.
TERMINAL: PHOSPHOR BRONZE Ø=0.46MM, G/FU" GOLD PLATING.
SHIELD: C2680,T=0.20MM,20 MIN NICKEL PLATING
ON ALL AREA.

MACHANICAL:

DURABILITY: 750 CYCLES MIN,12.5MM/MINUTE.
INSERTION FORCE: 2.2KG.F MAX.
RETENTION STRENGTH : 7.7KG.F BETWEEN JACK AND PLUG.
OPERATING TEMPERATURE: -40°C~+85°C.
STORAGE TEMPERATURE: -40°C~+85°C.
ALL CRITICAL DIMENSIONS WITH "*"

ELECTRICAL:

VOLTAGE: 125 VOLTS AC.
CURRENT RATING : 1.5AMP.
DIELECTRIC STRENGTH: 1000 VAC RMS 50HZ OR 60HZ,1MIN.
INSULATION RESISTANCE: 500 MEGA OHMS MIN. INITIAL
AFTER 500V DC FOR 1 MINUTE.
CONTACT RESISTANCE: SINGLE TERMINAL 30 MILLIOHMS MAX.
INITIAL 50 MILLIOHMS MAX. AFTER
DURABILITY TEST.



| | | | | | |
|----------------------------------|--------------|-------------------|--|------------|-------------------------|
| TITLE: RJ45 1*2 56带屏蔽 | SIZE A4 | UNITS MM[INCH] | GENERAL TOLERANCES UNLESS SPECIFIED | | APPROVED BY: JP.Gong |
| PART NO.: SYT561288GWA3DY1027 | SACLE 1:1 | REV A1 | x±0.35 | x°±3.0° | CHECKED BY: TW.Xu |
| REMARK: | SHEET 1/1 | | .xx±0.25 | .xx°±1.5° | DESIGND BY: MQ.Qu |
| | | | .xxx±0.10 | .xxx°±1.0° | |