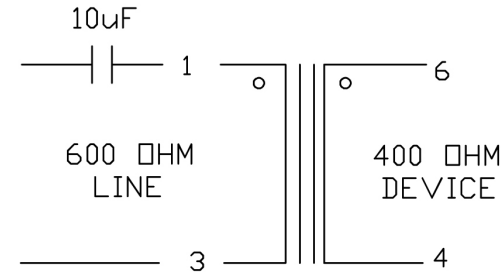
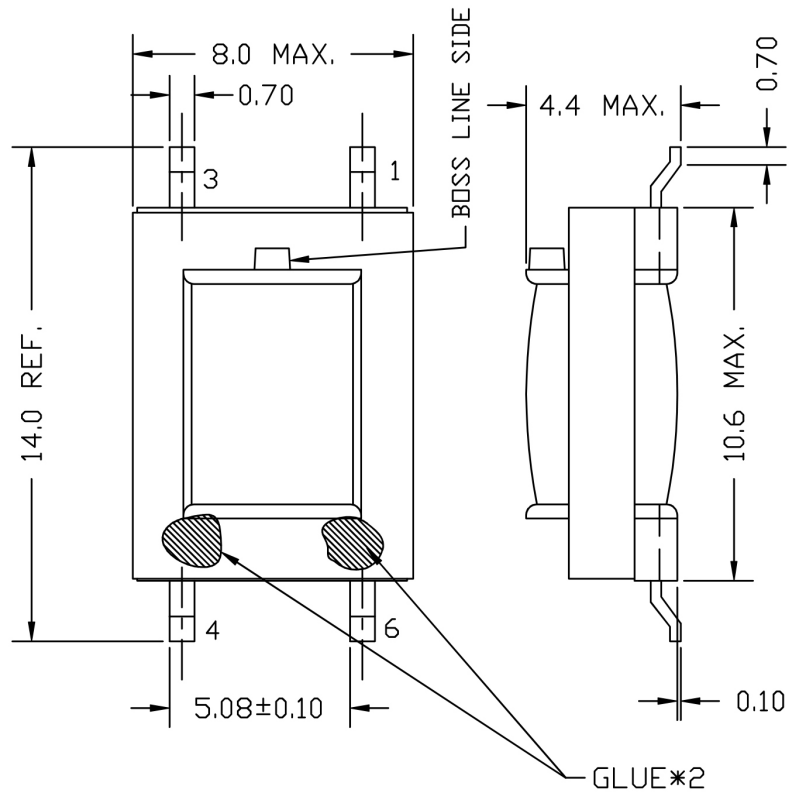


REACH & RoHS
COMPLIANT

REV.	ECN / DESCRIPTION	BY	DATE
A0	NEW	MQ.Cui	2023.03.02



ELECTRICAL CHARACTERISTICS:

- D.C.R. PIN 1-3 = 105 OHM +/-10% PIN 4-6 = 105 OHM +/-10%
- INDUCTANCE (@ 250HZ, 0.5Vrms, PARALLEL) 1-3 = 3 H MIN.
- IMPEDANCE (@ 1KHZ, 0dBm, 6-4 W/H 400 OHM)
1-3 = 600 OHM +/-3%
- INSERTION LOSS = 2.3 dB MAX.
(@ 1KHZ, 0dBm, W/H 400 OHM LOAD)
- FREQ. RESP. (@ 300HZ TO 4KHZ, REF. 1KHZ) = +/-0.12dB
- RETURN LOSS: @300HZ = 28dB MIN. @1KHZ = 35dB MIN.
@4KHZ = 35dB MIN.
- TURN RATIO : 1-3:6-4 = 1 +/-1%
- HI-POT = 1250 VAC, 1mA, 2SEC. (PRI.-SEC.)



苏州沃虎电子科技有限公司

Tel:4001048018 Http://www.wohu-tek.com

Part Number	Impedance PRI:SEC	Type&Size	Mounting	Hi-Pot (Vrms)	Inductance	Turns Ratio (Line:Device)	Dimension L/W/H(mm)
ATC-05-042AR	600:400	EL-08	SMD(Low profile)	1250	3.0H Min	1:1	14/8.0/4.4