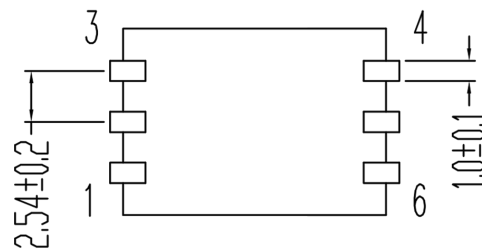
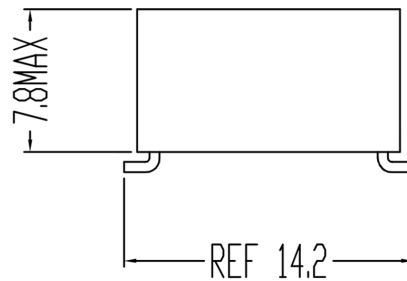
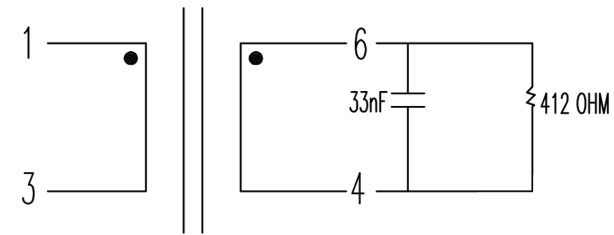
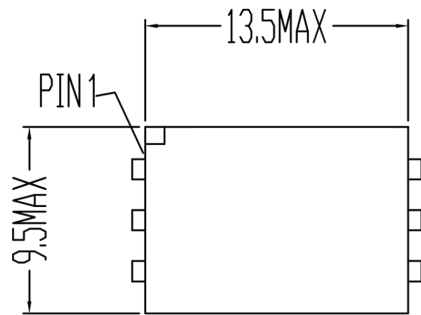


REACH & RoHS  
COMPLIANT

| REV. | ECN / DESCRIPTION | BY     | DATE       |
|------|-------------------|--------|------------|
| A0   | NEW               | MQ.Cui | 2023.03.02 |



ELECTRICAL CHARATERISTICS:

- 1.DCR:PIN1-3=115 OHM±15%,  
PIN4-6=115 OHM±15%,
- 2.INDUCTANCE PARALLEL:200Hz,0.78V  
PIN1-3=3.8H MIN  
RESISTANCE PARALLEL 7500 OHM MIN
- 3.LEAKAGE INDUCTANCE:1KHz,0.1V  
PIN1-3(4-6short)=6 mH TYP
- 4.INSERTION LOSS:2KHz,0dB  
PIN1-3(4-6 W/H 412 OHM)=2dB MAX
- 5.RETURN LOSS:REF 600 OHM  
FROM 200Hz~4Hz=24dB MIN
- 6.TURN RATIO:15KHz,1V PIN1-3:6-4=1±1%
- 7.FREQ RESP:REF 2KHZ  
FROM 200HZ~4KHZ=±0.25dB
- 8.INSULATION RESISTANCE 100M OHM MIN@500VDC
- 9.HI-POT: 4600vAC 1mA 60SEC:P-S
- 10.ROHS COMPLIANT



苏州沃虎电子科技有限公司

Tel:4001048018 Http://www.wohu-tek.com

| Part Number | Impedance<br>PRI:SEC | Type&Size | Mounting  | Hi-Pot (Vrms) | Inductance | Turns Ratio<br>(Line:Device) | Dimension<br>L/W/H(mm) |
|-------------|----------------------|-----------|-----------|---------------|------------|------------------------------|------------------------|
| ATSE-509R   | 600:412              | EL-08     | SMD(CASE) | 4600          | 3.8H Min   | 1:1                          | 13.5/9.5/8.5           |