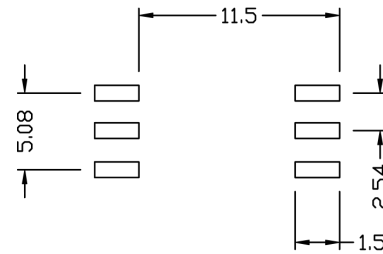
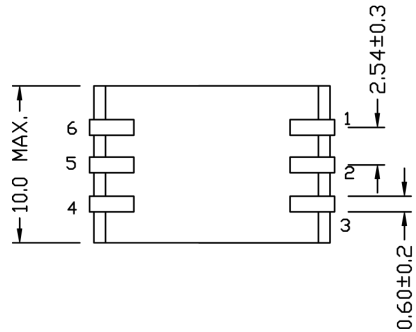
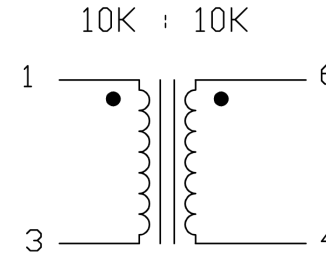
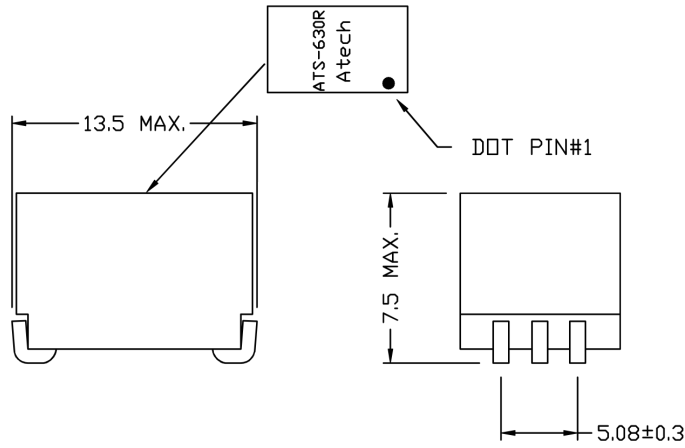


REACH & RoHS
COMPLIANT

REV.	ECN / DESCRIPTION	BY	DATE
A0	NEW	MQ.Cui	2023.03.02



Tolerance: +/- 0.3mm

ELECTRICAL CHARACTERISTICS :

- DCR : PIN 1-3 = 4-6 = 1.62 KOHM ± 15%
- INDUCTANCE PARALLEL (@1KHZ, 0.1Vrms) : PIN 1-3 = 25H MIN.
- INSERTION LOSS (@2KHZ, 1Vrms 4-6 W/H 10KOHM) :
PIN 1-3 = 2dB MAX.
- FREQ. RESP. (@REF 2KHZ) : @200HZ = ± 0.5dB
@4KHZ = ± 0.2dB.
- RETURN LOSS (@REF 10KOHM) : @200HZ = 14dB MIN.
@4KHZ = 14dB MIN.
- TURN RATIO (@7.9KHZ, 1Vrms) : PIN 1-3 : PIN 6-4 = 1 ± 1%
- HI-POT (@3750VAC, 1mA, 2SEC) : PRI-SEC
- RoHS COMPLIANCE.



苏州沃虎电子科技有限公司

Tel:4001048018 Http://www.wohu-tek.com

Part Number	Impedance PRI:SEC	Type&Size	Mounting	Hi-Pot (Vrms)	Inductance	Turns Ratio (Line:Device)	Dimension L/W/H(mm)
ATS-630R	10K:10K	EL-08	SMD(CASE)	3750	25.0H Min	1:1	13.5/10.0/7.5