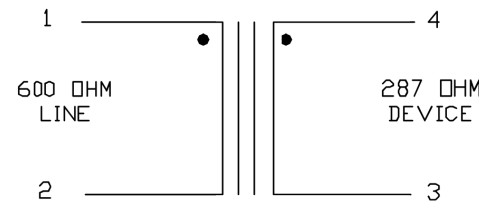
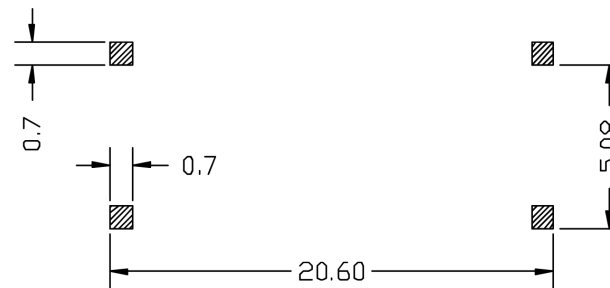
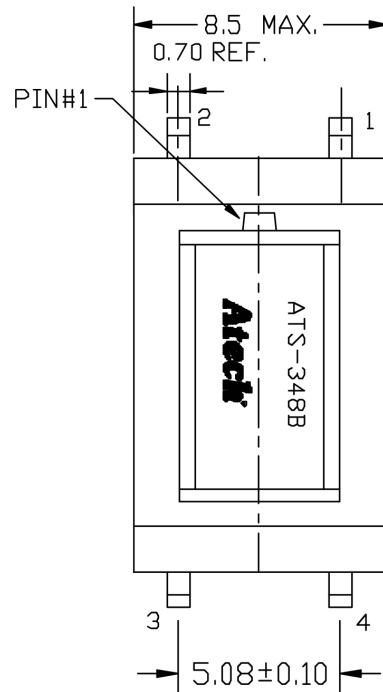
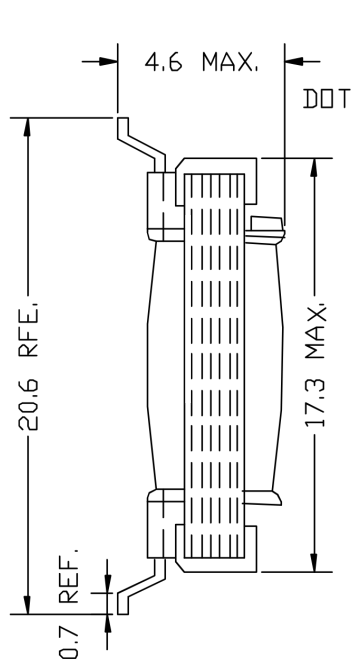


REACH & RoHS  
COMPLIANT

REV.	ECN / DESCRIPTION	BY	DATE
A0	NEW	MQ.Cui	2023.03.02



ELECTRICAL CHARACTERISTICS: (FOR V.90, MEET UL1950)

- D.C.R. : PIN 1-2 = 170 OHM +/-12%. PIN 3-4 = 150 OHM +/-12%.
- INDUCTANCE (@1KHZ, 1Vrms LP) : PIN 1-2 = 2.3Hy MIN.
- INSERTION LOSS (@ 1KHZ, 0dBm, PIN 3-4 W/H 287 OHM)  
PIN 1-2 = 3.5 dB MAX.
- FREQ. RESP.(REF. 1KHZ) : @200HZ-4KHZ = +/-0.2dB
- RETURN LOSS (REF. 600 OHM) : @ 200HZ - 4KHZ = 25dB MIN.
- TURNS RATIO : PIN 1-2 : PIN4-3 = 1+/-1%
- LONGITUDINAL BAL. = 60dB MIN.(@200-4KHZ)
- T.H.D. (@600HZ,-10dBm) = -80dB TYP.
- HI-POT (@1650VAC, 1mA, 2SEC.) PRI. - SEC.
- RoHS COMPLIANCE



苏州沃虎电子科技有限公司

Tel:4001048018 Http://www.wohu-tek.com

Part Number	Impedance PRI:SEC	Type&Size	Mounting	Hi-Pot (Vrms)	Inductance	Turns Ratio (Line:Device)	Dimension L/W/H(mm)
ATS-348BR	600:287	EL-08	SMD(Low profile)	1650	2.3H Min	1:1	20.6/8.5/4.6