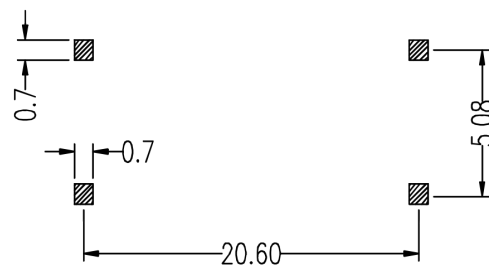
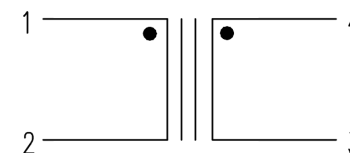
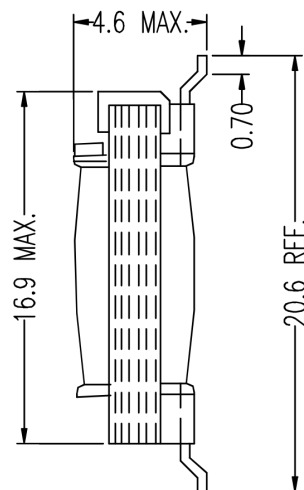
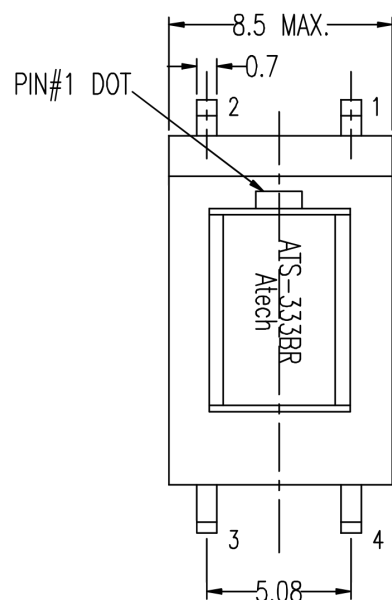


REACH & RoHS  
COMPLIANT

REV.	ECN / DESCRIPTION	BY	DATE
A0	NEW	MQ.Cui	2023.03.02



ELECTRICAL CHARACTERISTICS : (671-8447, 2786A3 COMPATIBLE)

- DCR = PIN 1-2 =  $141\Omega \pm 10\%$  PIN 3-4 =  $171\Omega \pm 10\%$
- INDUCTANCE (@1KHz, 0.1Vrms) : PIN 1-2 = 1.6Hy MIN.
- INSERTION LOSS (@1KHz, 0dBm, PIN 3-4 W/H 290 $\Omega$ )  
PIN 1-2 = 3.3dB  $\pm$  0.2dB
- FREQ. RESP. (REF. 1KHz) : @200Hz-5KHz =  $\pm 0.1$ dB
- RETURN LOSS (REF. 600 $\Omega$ ) : @300Hz-3500Hz = 30dB MIN.
- URNS RATIO : PIN 1-2 : PIN 4-3 = 1  $\pm$  1%
- LONGITUDINAL BAL. = 60dB MIN. (@200Hz-4KHz)
- T.H.D. (@600Hz, -10dBm) = -85dB MAX.
- HI-POT (@1250VAC, 1mA, 2SEC) PRI.-SEC.
- IR REFLOWABLE (PLEASE SEE PROFILE)
- RoHS COMPLIANT



苏州沃虎电子科技有限公司

Tel:4001048018 Http://www.wohu-tek.com

Part Number	Impedance PRI:SEC	Type&Size	Mounting	Hi-Pot (Vrms)	Inductance	Turns Ratio (Line:Device)	Dimension L/W/H(mm)
ATS-333BR	600:290	EL-08	SMD(Low profile)	1250	1.6H Min	1:1	20.6/8.5/4.6