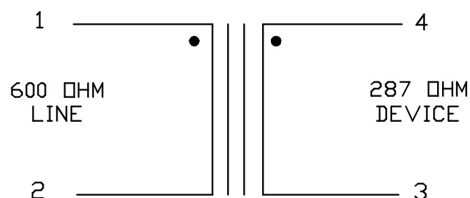
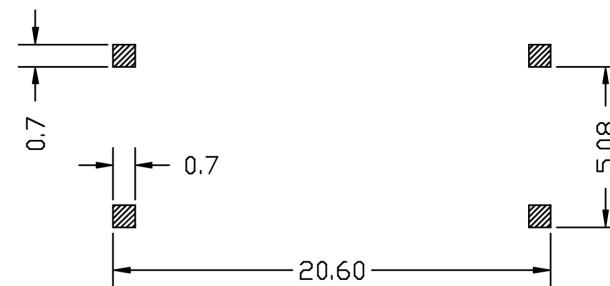
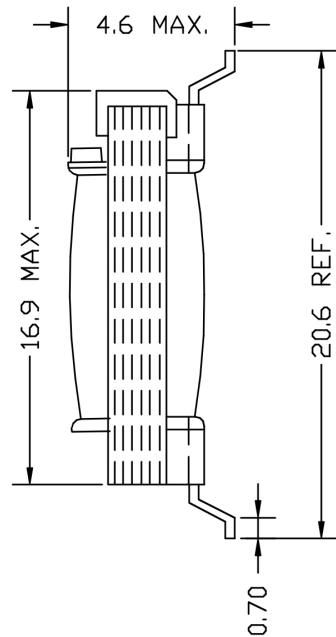
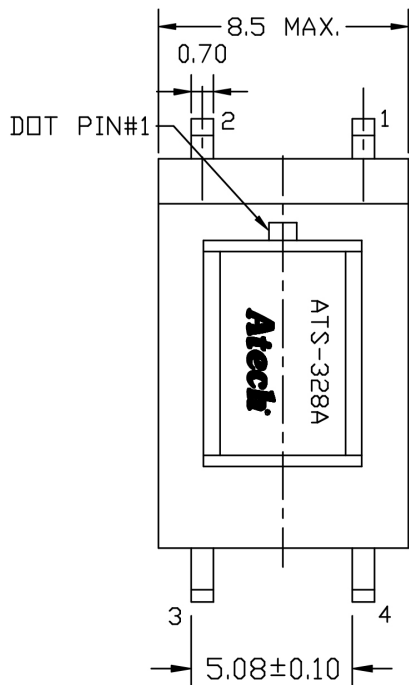


REACH & RoHS
COMPLIANT

REV.	ECN / DESCRIPTION	BY	DATE
A0	NEW	MQ.Cui	2023.03.02



ELECTRICAL CHARACTERISTICS: (FOR V.90, MEET UL1950)

1. D.C.R. : PIN 1-2 = 160 OHM MAX. PIN 3-4 = 195 OHM MAX.
2. INDUCTANCE (@1KHZ, 1Vrms LP) : PIN 1-2 = 3.3Hy MIN.
3. INSERTION LOSS (@ 1KHZ, 0dBm, PIN 3-4 W/H 287 OHM)
PIN 1-2 = 3.5 dB MAX.
4. FREQ. RESP.(REF. 1KHZ) : @200HZ-4KHZ = +/-0.15dB
5. RETURN LOSS (REF. 600 OHM) : @ 200HZ - 4KHZ = 20dB MIN.
6. TURNS RATIO : PIN 1-2 : PIN4-3 = 1+/-1%
7. LONGITUDINAL BAL. = 60dB MIN.(@200-4KHZ)
8. T.H.D. (@600HZ,-10dBm) = -82dB MAX.
9. HI-POT (@1650VAC, 1mA, 2SEC.) PRI. - SEC.



苏州沃虎电子科技有限公司

Tel:4001048018 Http://www.wohu-tek.com

Part Number	Impedance PRI:SEC	Type&Size	Mounting	Hi-Pot (Vrms)	Inductance	Turns Ratio (Line:Device)	Dimension L/W/H(mm)
ATS-328A	600:287	EL-08	SMD(Low profile)	1650	3.3H Min	1:1	20.6/8.5/4.5