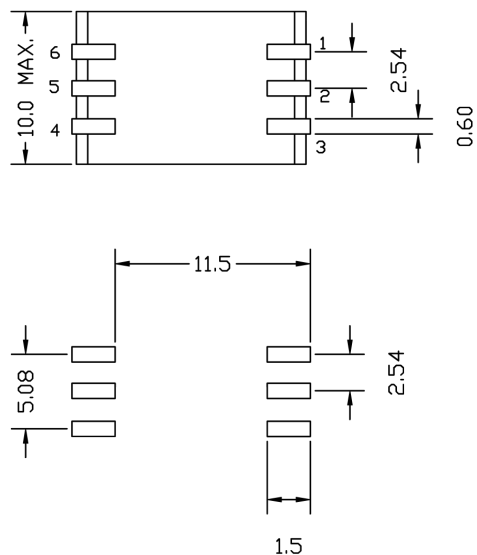
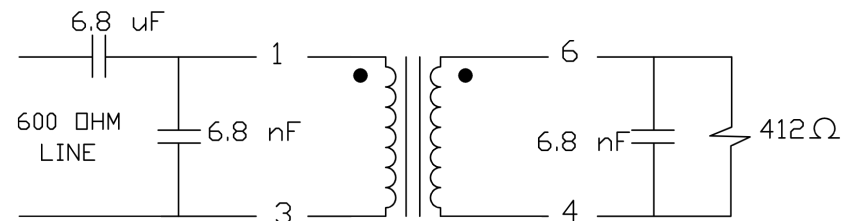
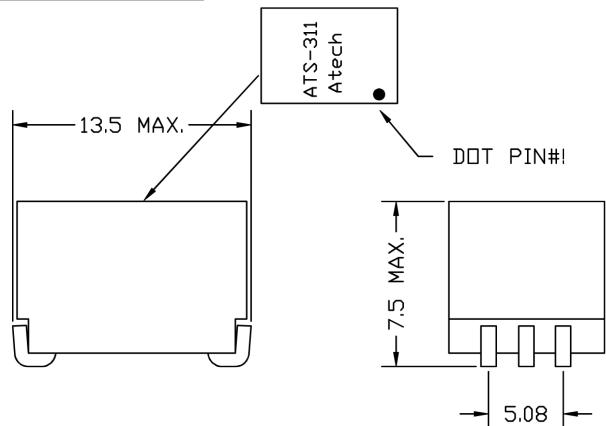


REACH & RoHS COMPLIANT

REV.	ECN / DESCRIPTION	BY	DATE
A0	NEW	MQ.Cui	2023.03.02



ELECTRICAL CHARACTERISTICS (P2781 COMPATIBLE)

- DCR: 1-3 = 6-4 = 112 OHM +/- 10%
- INDUCTANCE (@1KHZ, 0.1Vrms, PARALLEL)
1-3 = 1.6H MIN.
- INSERTION LOSS (@2KHZ, 1Vrms) : 2dB MAX.
- FREQ. RESPONSE (REF. 2KHZ)
@200HZ = +/- 0.2dB @4KHZ = +/- 0.1dB.
- RETURN LOSS (REF. 600 OHM)
@200HZ = 18dB MIN. @4KHZ = 24dB MIN.
- TURN RATIO (@1KHZ, 1Vrms) 1-3 = 6-4 = 1+/-1%
- HI-POT (@3750VAC, 1mA, 2SEC) PRI-SEC.
- WORKING TEMP. : -10°C TO +70°C
- RoHS COMPLIANCE.



苏州沃虎电子科技有限公司

Tel:4001048018 Http://www.wohu-tek.com

Part Number	Impedance PRI:SEC	Type&Size	Mounting	Hi-Pot (Vrms)	Inductance	Turns Ratio (Line:Device)	Dimension L/W/H(mm)
ATS-311R	600:412	EL-08	SMD(CASE)	3750	1.6H Min	1:1	13.5/10.0/7.5