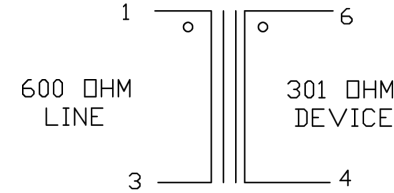
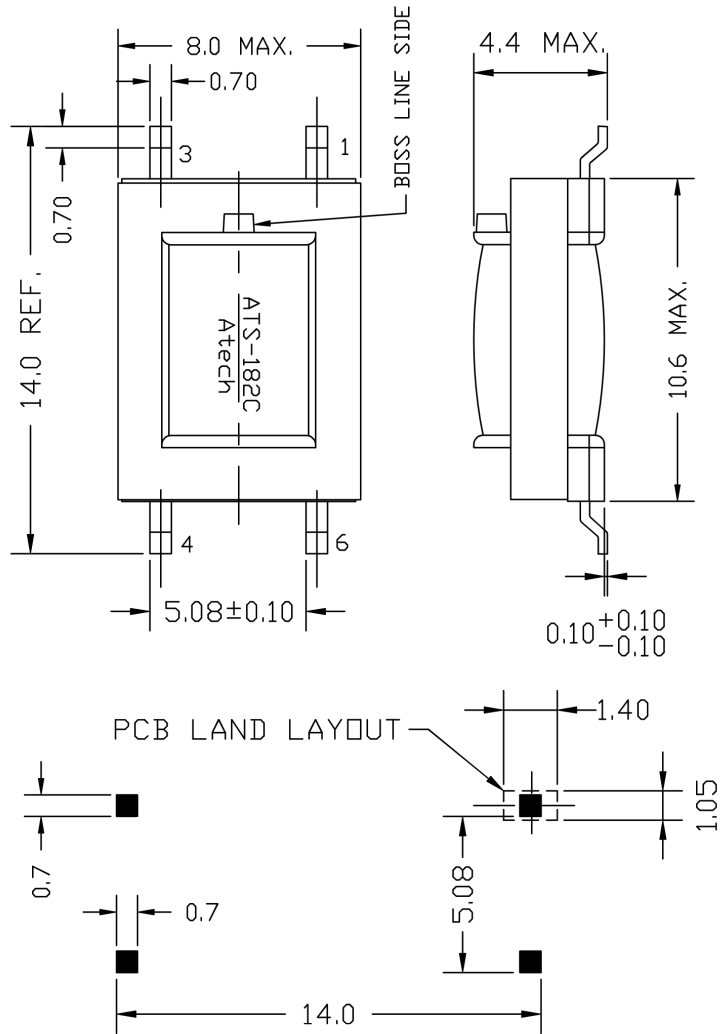


REACH & RoHS
COMPLIANT

REV.	ECN / DESCRIPTION	BY	DATE
A0	NEW	MQ.Cui	2023.03.02



ELECTRICAL CHARACTERISTICS: (TRUE V.34 FOR SMT)

- D.C.R. PIN 1-3 = 150 OHM +/-10% PIN 4-6 = 150 OHM +/-10%
- INDUCTANCE (@250HZ, 0.5Vrms, PARALLEL) 1-3 = 4.0H MIN.
- IMPEDANCE (@ 1KHZ, 0dBm, 6-4 W/H 301 OHM)
1-3 = 600 OHM +/-2%
- INSERTION LOSS = 3.3 +/-0.25dB
(@ 1KHZ, 0dBm, W/H 301 OHM LOAD)
- FREQ. RESP. (@300HZ TO 4KHZ, REF. 1KHZ) = +/-0.1dB
- RETURN LOSS @300HZ = 30dB MIN. @1KHZ = 35dB MIN.
@4KHZ, = 35dB MIN.
- TURN RATIO = 1:1 +/-1%
- POLARITY = PIN 1-6 INPHASE
- LONGITUDINAL BAL. = 70dB MIN. (@ 200HZ TO 4KHZ)
- T.H.D (@600HZ, -10dBm) = -82dB MAX.
- HI-POT = 1250 VAC, 1mA, 2SEC. (PRI.-SEC.)
- LEAD FREE.

UNLESS OTHERWISE SPECIFIED ALL TOLERANCES ARE ±0.25



苏州沃虎电子科技有限公司

Tel:4001048018 Http://www.wohu-tek.com

Part Number	Impedance PRI:SEC	Type&Size	Mounting	Hi-Pot (Vrms)	Inductance	Turns Ratio (Line:Device)	Dimension L/W/H(mm)
ATS-182CN	600:301	EL-08	SMD(Low profile)	1250	4.0H Min	1:1	15.2/8.2/4.9