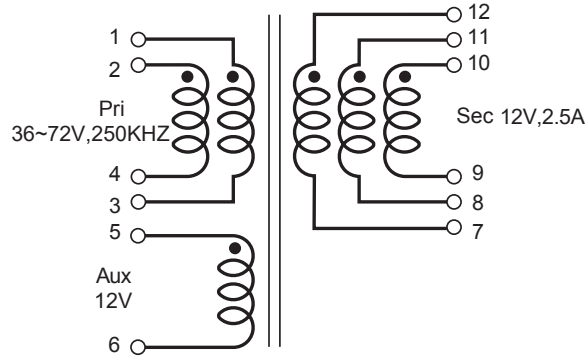
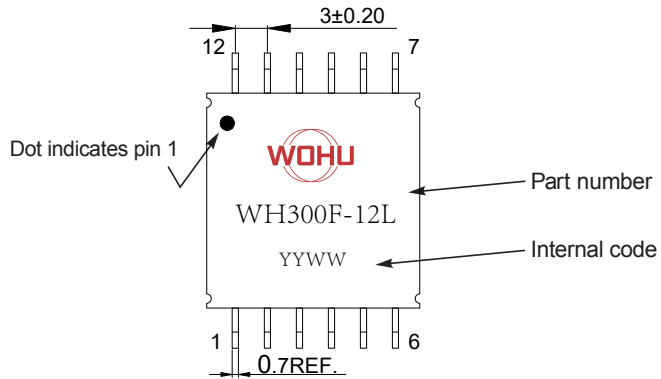


REACH & RoHS  
COMPLIANT

REV.	ECN / DESCRIPTION	BY	DATE
A0	NEW	MQ.Cui	2023.02.09



- Designed to meet 30 W PoE IEEE 802.3at-2009 standard.
- Operates at 250 kHz with 36-72 Volts input.
- Isolation: 1500 Vrms, one minute pri to sec; 500 Vrms pri to aux

**Core material** Ferrite

**Terminations** RoHS tin-silver over tin over nickel over phos bronze.

**Weight** 12.5 g

**Ambient temperature** -40°C to +125°C

**Storage temperature** Component: -40°C to +125°C.

Tape and reel packaging: -40°C to +80°C

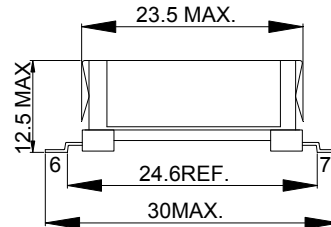
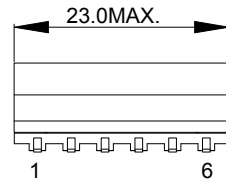
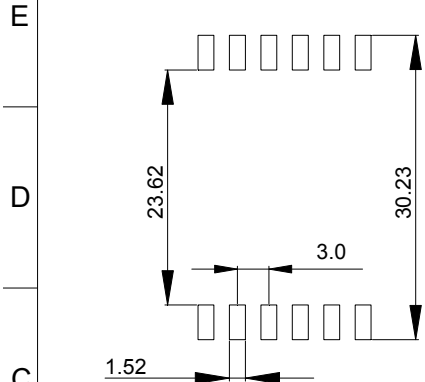
**Resistance to soldering heat** Max three 40 second reflows at +260°C, parts cooled to room temperature between cycles

**Moisture Sensitivity Level (MSL)** 1 (unlimited floor life at <30°C / 85% relative humidity)

1. Inductance is for the primary, measured at 250 kHz, 0.1 Vrms, 0A<sub>dc</sub>
2. I<sub>pk</sub> is peak primary current drawn at minimum input voltage.
3. .DCR for the secondary is per winding.
4. Leakage inductance measured between pins 3 and 4 with all other pins shorted.
5. Turns ratio is with the secondary windings connected in parallel.
6. Output of the secondary is with the windings connected in parallel. Biaswinding output is 12 V, 2.5A.
7. Electrical specifications at 25°C.

**Note:**

1. Dimensions: mm;
2. Unless otherwise specified, tolerance.



Recommended  
Land Pattern



苏州沃虎电子科技有限公司

Tel:4001048018 Http://www.wohu-tek.com

Part Number	Power (W)	Turns Ratio		OCL @250KHz 100mV	LL @250KHz 100mV	DCR (mΩ Max)			Hi-PoT (0.5mA/3S)
		PRI: SEC	PRI :Bias	1,2-3,4	1,2-3,4 (5-6-7-8-9-10-11-12short)	1,2-3,4	5-6	12,11,10-9,8,7	PRI- SEC
WH300F-12L	30	3:1±2%	3:1±2%	42μH±10%	0.6μH Max	61	195	15	1500 Vrms