

CUSTOMER DRAWING

REV. 版本	ECN NO. 变更说明	DATE 日期
A-E	详见老版图纸	
F	修改图面	2020.06.17
G	封装区域调整	2021.02.03

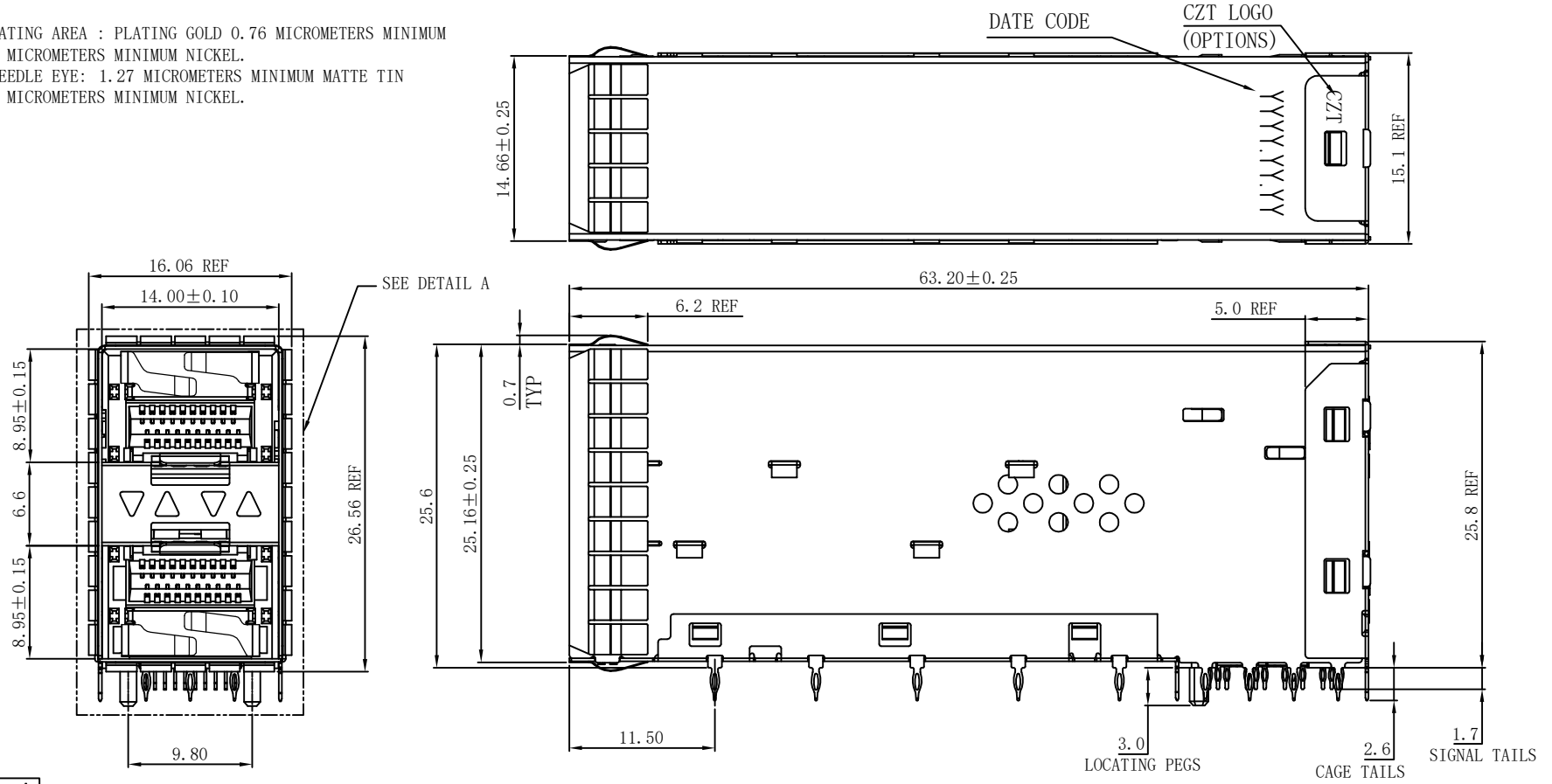
NOTE:

MATERIAL:

- CONTACT: PHOSPHOR BRONZE.
- CONNECTOR HOUSING: LCP UL 94V-0. COLOR: BLACK.
- MOULDED INSERT: HIGH TEMPERATURE PLASTIC UL 94V-0. COLOR:BLACK.
- CAGE: COPPER ALLOY.
- LIGHT PIPES: POLYCARBONATE. UL 94V-0. COLOR:CLEAR
- LIGHT PIPE HOUSING: PBT UL 94V-0 COLOR:BLACK.
- EMI CLIP: COPPER ALLOY.

PLATED:

- CONTACT MATING AREA : PLATING GOLD 0.76 MICROMETERS MINIMUM OVER 1.27 MICROMETERS MINIMUM NICKEL.
- CONTACT NEEDLE EYE: 1.27 MICROMETERS MINIMUM MATTE TIN OVER 1.27 MICROMETERS MINIMUM NICKEL.



RoHS Compliant

WOHU 苏州沃虎电子科技有限公司
Tel:4001048018 http://www.wohu-tek.com

第三视角	A4 SIZE	SCALE 比例	UNIT 单位	CUSTOMER: 客户	N/A
		1:1	mm	MODEL NO: 模号	N/A

TOLERANCES 公差
.X ±0.25
.XX ±0.13
.XXX ±0.10
ANGLES: ±2°

Material: 材质	SEE NOTE	Designed: 设计	Lamei Tang	NAME: 名称	SFP28 2X1 CONNECTOR	
Finish: 电镀	SEE NOTE	Checked: 审核	Qianpu Zhao	DWG NO: 图号	ESF160401-C	REV. 版本
SHEET 1 OF 4 第 页 共 页		Approved: 核准	Robin	PART NO: 料号	SEE TABLE	G

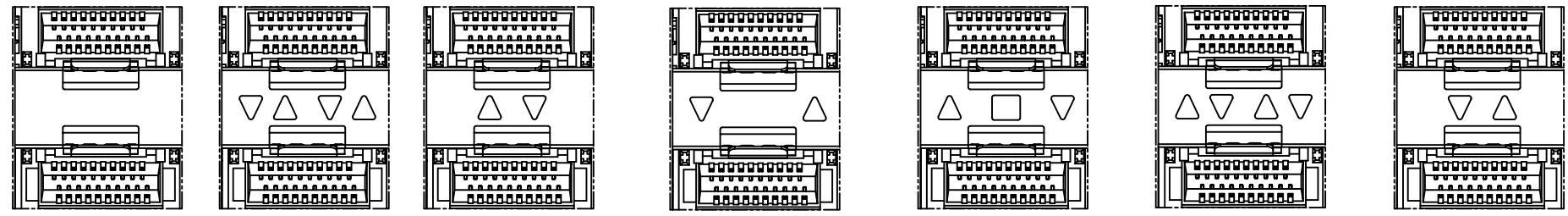
CUSTOMER DRAWING

LIGHT PIPE CONFIGURATION
DETAIL B SCALE 2:1

REV. 版本	ECN NO. 变更说明	DATE 日期

A

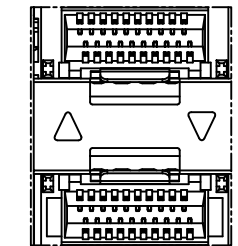
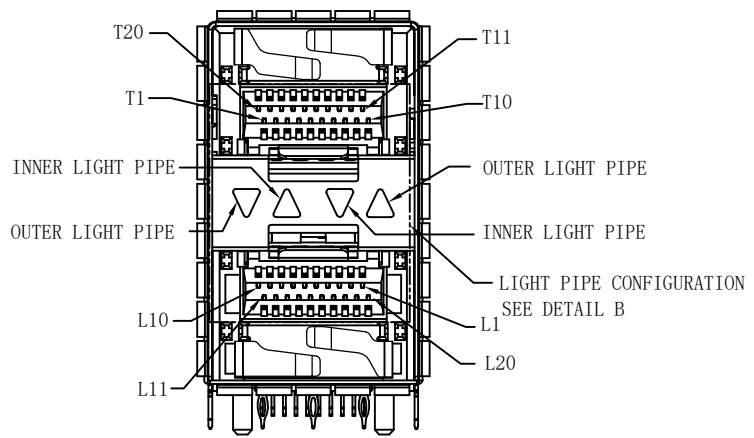
A



- | | | | | | | |
|---|--|--|--|--|--|--|
| TYPE1_NONE LIGHT PIPE
10732021F002
10732021F003 | TYPE2_4 LIGHT PIPE
10732121F002
10732121F001 | TYPE3_2 INNER LIGHT PIPE
10732221F003
10732221F002 | TYPE4_2 OUTER LIGHT PIPE
10732321F002
10732321F006 | TYPE5_3 LIGHT PIPE
10732521F002
10732521F001 | TYPE6_4 LIGHT PIPE
10732121F003
10732121F004 | TYPE7_2 INNER LIGHT PIPE
10732221F004
10732221F005 |
|---|--|--|--|--|--|--|

B

B



TYPE8_2 OUTER LIGHT PIPE
10732321F003
10732321F004

10732321F004	TYPE8_2 OUTER LIGHT PIPE	△ ▽	NONE LOGO
10732221F005	TYPE7_2 INNER LIGHT PIPE	▽ △	
10732121F004	TYPE6_4 LIGHT PIPE	△ ▽ △ ▽	
10732521F002	TYPE5_3 LIGHT PIPE	△ □ ▽	
10732321F002	TYPE4_2 OUTER LIGHT PIPE	▽ △	
10732221F003	TYPE3_2 INNER LIGHT PIPE	△ ▽	LOGO
10732121F002	TYPE2_4 LIGHT PIPE	▽ △ ▽ △	
10732021F003	TYPE1_NONE LIGHT PIPE		
10732321F003	TYPE8_2 OUTER LIGHT PIPE	△ ▽	
10732221F004	TYPE7_2 INNER LIGHT PIPE	▽ △	
10732121F003	TYPE6_4 LIGHT PIPE	△ ▽ △ ▽	LOGO
10732521F001	TYPE5_3 LIGHT PIPE	△ □ ▽	
10732321F006	TYPE4_2 OUTER LIGHT PIPE	▽ △	
10732221F002	TYPE3_2 INNER LIGHT PIPE	△ ▽	
10732121F001	TYPE2_4 LIGHT PIPE	▽ △ ▽ △	
10732021F002	TYPE1_NONE LIGHT PIPE		LOGO
PART NUMBER	LIGHT PIPE CONFIGURATION	LOGO	

C

C

RoHS Compliant

WOHU 苏州沃虎电子科技有限公司
Tel:4001048018 http://www.wohu-tek.com

TOLERANCES
公差
.X ±0.25
.XX ±0.13
.XXX ±0.10
ANGLES: ±2°

Material:
材质 SEE NOTE
Finish:
电镀 SEE NOTE
SHEET 2 OF 4
第 页 共 页

Designed:
设计 Lamei Tang
Checked:
审核 Qianpu Zhao
Approved:
核准 Robin

NAME:
名称 SFP28 2X1 CONNECTOR
DWG NO:
图号 ESF160401-C
PART NO:
料号 SEE TABLE
REV.
版本 G

第三视角
A4
SIZE

SCALE 比例	UNIT 单位	CUSTOMER: 客户	N/A
1:1	mm	MODEL NO: 模号	N/A

CUSTOMER DRAWING

REV. 版本	ECN NO. 变更说明	DATE 日期

A

B

C

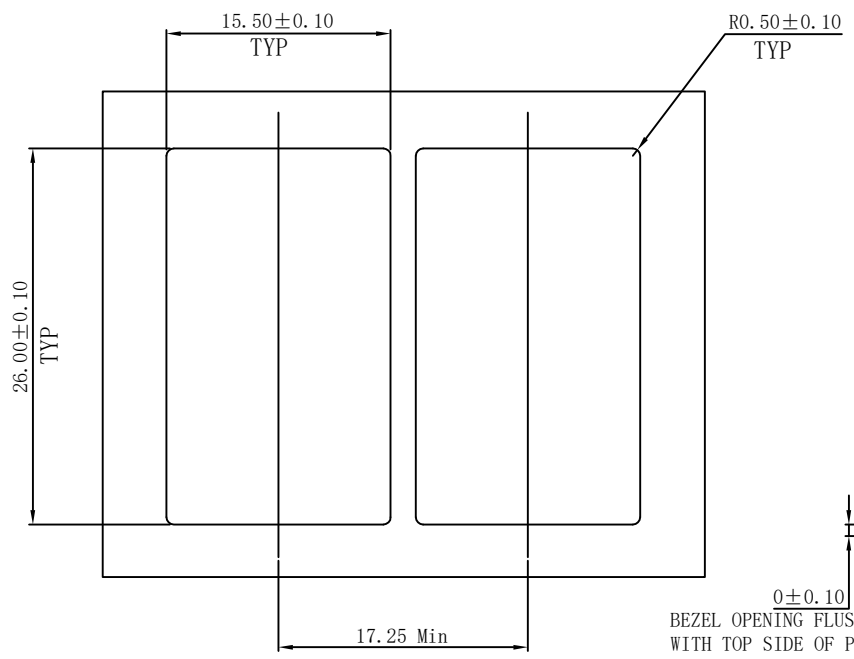
D

A

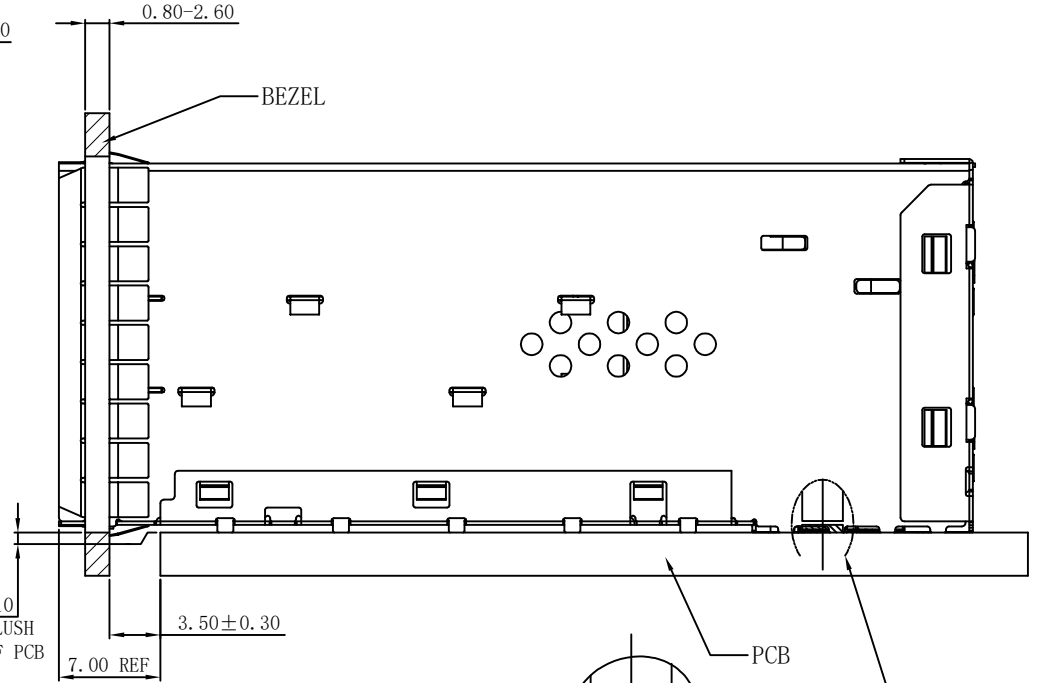
B

C

D



BEZEL CUT-OUT CENTER SPACING DETAIL
BEZEL THICKNESS: 0.8-2.6



LED PROFILE (0603)
HEIGHT: 0.60~0.80MM
VIEW ANGLE: ≤120°

DETAIL F
SCALE 2:1

RoHS Compliant

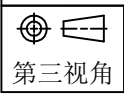
WOHU 苏州沃虎电子科技有限公司
Tel: 4001048018 <http://www.wohu-tek.com>

TOLERANCES
公差

.X	±0.25
.XX	±0.13
.XXX	±0.10

ANGLES: ±2°

Material: 材质	SEE NOTE	Designed: 设计	Lamei Tang	NAME: 名称	SFP28 2X1 CONNECTOR	
Finish: 电镀	SEE NOTE	Checked: 审核	Qianpu Zhao	DWG NO: 图号	ESF160401-C	REV. 版本
SHEET 3 OF 4 第 3 页 共 4 页		Approved: 核准	Robin	PART NO: 料号	SEE TABLE	G



A4
SIZE

SCALE 比例	UNIT 单位	CUSTOMER: 客户	N/A
1:1	mm	MODEL NO: 模号	N/A

1

2

3

4

CUSTOMER DRAWING

REV. 版本	ECN NO. 变更说明	DATE 日期

A

B

C

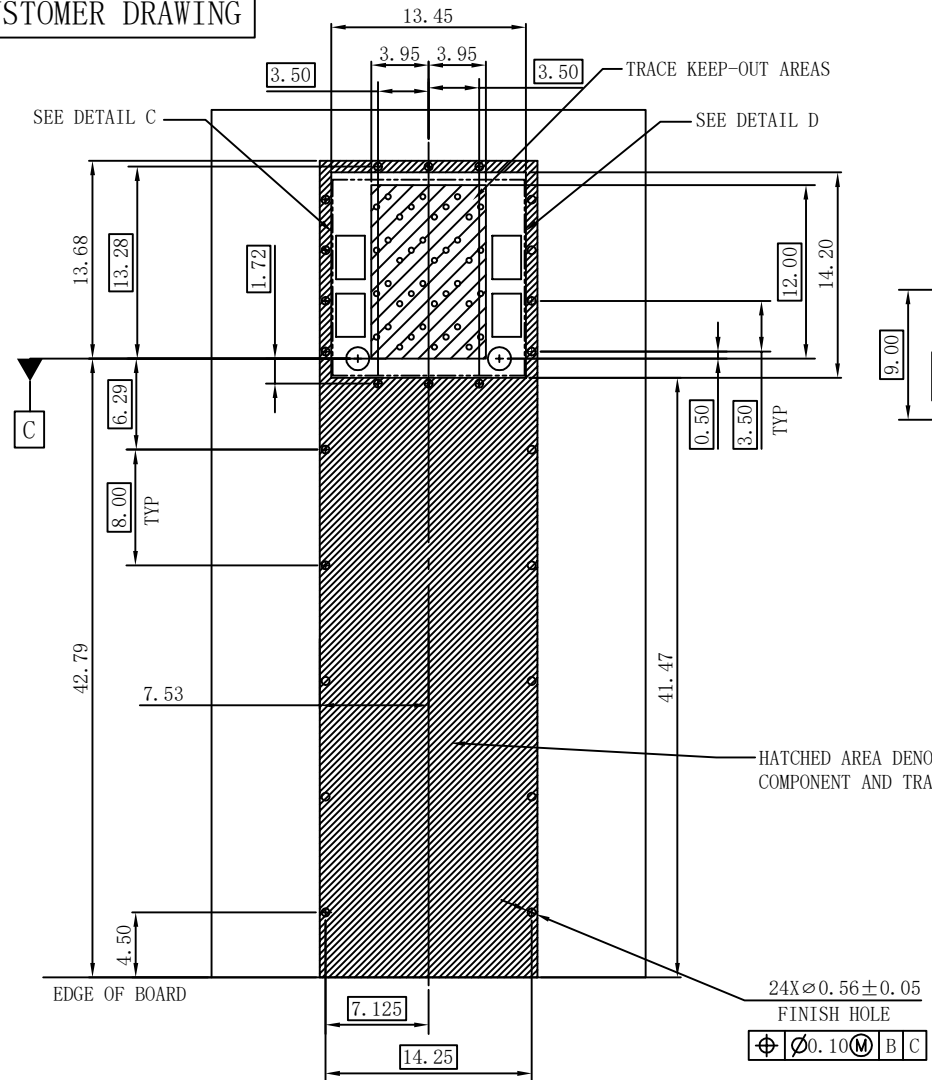
D

A

B

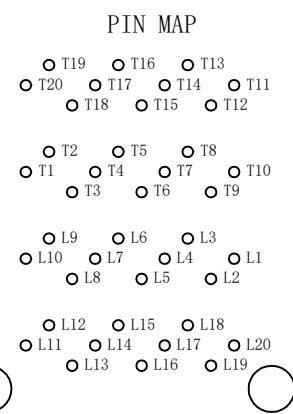
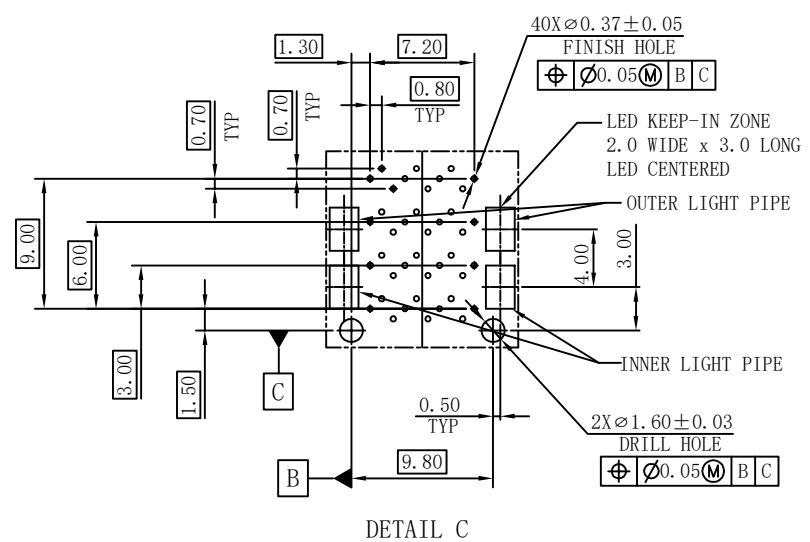
C

D



RECOMMENDED PCB LAYOUT-COMPONENT SIDE
RECOMMENDED PCB THICKNESS-2.63mm

HATCHED AREA DENOTES
COMPONENT AND TRACE KEEP-OUT



DETAIL D

RoHS Compliant

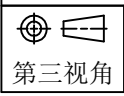
WOHU 苏州沃虎电子科技有限公司
Tel:4001048018 http://www.wohu-tek.com

TOLERANCES 公差
.X ± 0.25
.XX ± 0.13
.XXX ± 0.10
ANGLES: $\pm 2^\circ$

Material: 材质 SEE NOTE
Finish: 电镀 SEE NOTE
SHEET 4 OF 4
第 页 共 页

Designed: 设计 Lamei Tang
Checked: 审核 Qianpu Zhao
Approved: 核准 Robin

NAME: 名称 SFP28 2X1 CONNECTOR
DWG NO: 图号 ESF160401-C
PART NO: 料号 SEE TABLE
REV. 版本 G



A4
SIZE

SCALE 比例 1:1
UNIT 单位 mm

CUSTOMER: 客户 N/A
MODEL NO: 模号 N/A