

S+C02

NOTE:  
MATERIAL:

1. CONTACT: PHOSPHOR BRONZE.
2. CONNECTOR HOUSING: LCP UL 94V-0. COLOR: BLACK.
3. MOULDED INSERT: HIGH TEMPERATURE PLASTIC UL 94V-0. COLOR:BLACK.
4. CAGE: COPPER ALLOY.
5. LIGHT PIPES: POLYCARBONATE. UL 94V-0. COLOR:CLEAR
6. LIGHT PIPE HOUSING: PBT UL 94V-0 COLOR:BLACK.
7. EMI SPRING: COPPER ALLOY.

PLATED:

1. CONTACT MATING AREA : PLATING GOLD OVER 1.27 MICROMETERS MINIMUM NICKEL.
2. CONTACT NEEDLE EYE: 2.54 MICROMETERS MINIMUM MATTE TIN OVER 1.27 MICROMETERS MINIMUM NICKEL.

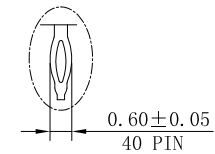
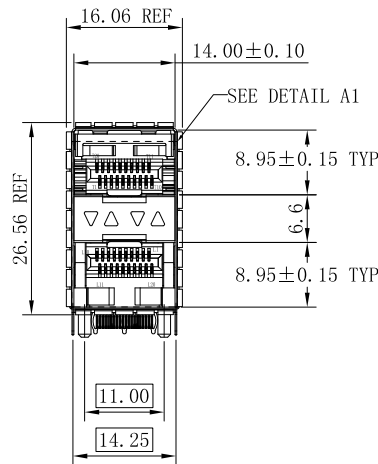
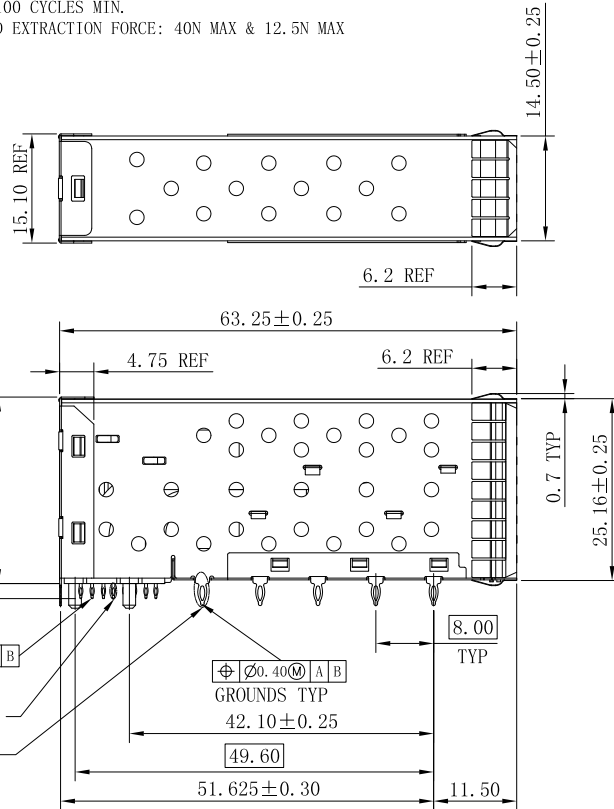
MECHANICAL REQUIREMENT:

1. DURABILITY: 100 CYCLES MIN.
2. INSERTION AND EXTRACTION FORCE: 40N MAX & 12.5N MAX

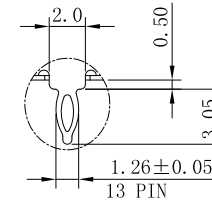
ENVIRONMENTAL:

1. LOW LEVEL CONTACT RESISTANCE(LLCR):  
Δ R 10 MILLIOHMS MAXIMUM FOR SHIELD AND SIGNAL CONTACTS.
2. DIELECTRIC WITHSTANDING VOLTAGE: 300V AC/MAX.
3. INSULATION RESISTANCE: 1x10<sup>9</sup> OHMS MINIMUM.
4. RATINGS CURRENT: 0.5 AMPS MAX.
5. RATINGS VOLTAGE: 30 VOLTS DC/AC(RMS) MAX.
6. OPERATION: -40° C~+85° C.
7. STORAGE: -55° C~+105° C.
8. ROHS COMPLIANT

REV. 版本	ECN NO. 变更说明	DATE 日期
A	图面整理	2015.07.02
B	新增料号	2015.08.18
C	增加料号	2015.09.29
D	增加料号	2016.06.02
E	增加料号	2017.01.16
F	图纸整理	2017.05.26
G	修改标注位置	2018.03.29
H	增加尺寸标注	2020.07.01
J	图面刷新	2020.10.12



DETAIL A  
SCALE 10:1



DETAIL B  
SCALE 5:1

RoHS Compliant

**WOHU** 苏州沃虎电子科技有限公司  
Tel:4001048018 http://www.wohu-tek.com

TOLERANCES  
公差  
.X ±0.25  
.XX ±0.13  
.XXX ±0.10  
ANGLES: ±2°

Material: 材质 SEE NOTE  
Finish: 电镀 SEE NOTE  
SHEET 1 OF 5  
第 页 共 页

Designed: 设计 Hanmian Ye  
Checked: 审核 Qianpu Zhao  
Approved: 核准 Robin

NAME: 名称 SFP+ 2x1 Press Fit Connector  
DWG NO: 图号 ESFP12032001-C  
PART NO: 料号 SEE TABLE  
REV. 版本 J

第三视角

A4  
SIZE

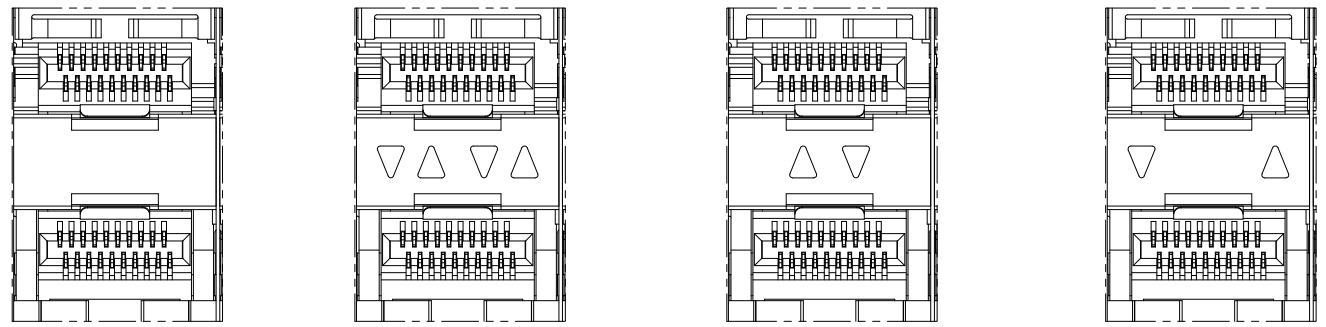
SCALE 比例  
2:1

UNIT 单位  
mm

CUSTOMER: 客户 N/A  
MODEL NO: 模号 N/A

REV. 版本	ECN NO. 变更说明	DATE 日期

A



TYPE1\_NONE LIGHT PIPES

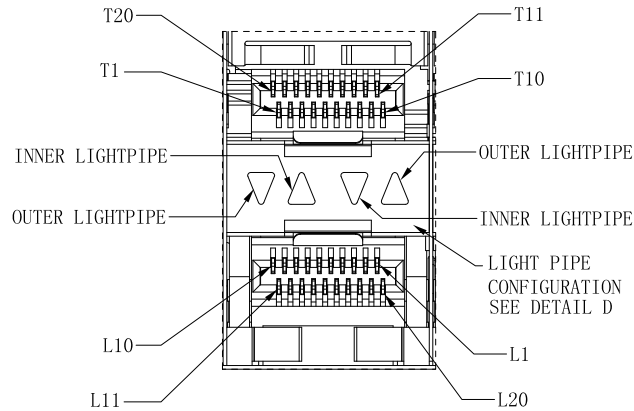
TYPE2\_4 LIGHT PIPES

TYPE1\_3 INNER LIGHT PIPES

TYPE4\_2 OUTER LIGHT PIPES

B

LIGHT PIPE CONFIGURATION  
DETAIL D SCALE 2:1



DETAIL A1  
SCALE 4:1

PART NUMBER	PART NUMBER (OLD)	DESCRIPTION	LIGHT PIPES	CONTACT PALTING GOLD	LOGO	CAGE PLATING
10715221D008		SFP+2X1 PRESS FIT CONNECTOR	WITH INNER/OUTER LIGHT PIPES	▽△▽△	15u"	WITHOUT LOGO UNPLATED
10715121D002		SFP+2X1 PRESS FIT CONNECTOR	WITHOUT LIGHT PIPES	▽△	15u"	WITHOUT LOGO UNPLATED
10715221D009		SFP+2X1 PRESS FIT CONNECTOR	WITH OUTER LIGHT PIPES	▽△	15u"	WITHOUT LOGO UNPLATED
10715221D010		SFP+2X1 PRESS FIT CONNECTOR	WITH INNER LIGHT PIPES	△▽	15u"	WITHOUT LOGO UNPLATED
10715221D011		SFP+2X1 PRESS FIT CONNECTOR	WITH INNER/OUTER LIGHT PIPES	▽△▽△	15u"	WITHOUT LOGO Ni 30u"MIN
10715121D005		SFP+2X1 PRESS FIT CONNECTOR	WITHOUT LIGHT PIPES	▽△	15u"	WITHOUT LOGO Ni 30u"MIN
10715221D012		SFP+2X1 PRESS FIT CONNECTOR	WITH OUTER LIGHT PIPES	▽△	15u"	WITHOUT LOGO Ni 30u"MIN
10715221D013		SFP+2X1 PRESS FIT CONNECTOR	WITH INNER LIGHT PIPES	△▽	15u"	WITHOUT LOGO Ni 30u"MIN
10715221F008	B869S-0030-Y027	SFP+2X1 PRESS FIT CONNECTOR	WITH INNER/OUTER LIGHT PIPES	▽△▽△	30u"	WITHOUT LOGO UNPLATED
10715100F001	B869S-0030-Y028	SFP+2X1 PRESS FIT CONNECTOR	WITHOUT LIGHT PIPES	▽△	30u"	WITHOUT LOGO UNPLATED
10715221F003	B869S-0030-Y029	SFP+2X1 PRESS FIT CONNECTOR	WITH OUTER LIGHT PIPES	▽△	30u"	WITHOUT LOGO UNPLATED
10715221F016	B869S-0030-Y030	SFP+2X1 PRESS FIT CONNECTOR	WITH INNER LIGHT PIPES	△▽	30u"	WITHOUT LOGO UNPLATED
10715221F033		SFP+2X1 PRESS FIT CONNECTOR	WITH INNER/OUTER LIGHT PIPES	▽△▽△	30u"	WITHOUT LOGO Ni 30u"MIN
10715121F018		SFP+2X1 PRESS FIT CONNECTOR	WITHOUT LIGHT PIPES	▽△	30u"	WITHOUT LOGO Ni 30u"MIN
10715221F034		SFP+2X1 PRESS FIT CONNECTOR	WITH OUTER LIGHT PIPES	▽△	30u"	WITHOUT LOGO Ni 30u"MIN
10715221F035		SFP+2X1 PRESS FIT CONNECTOR	WITH INNER LIGHT PIPES	△▽	30u"	WITHOUT LOGO Ni 30u"MIN

C

D

RoHS Compliant

**WOHU** 苏州沃虎电子科技有限公司  
Tel:4001048018 http://www.wohu-tek.com

TOLERANCES  
公差  
.X ±0.25  
.XX ±0.13  
.XXX ±0.10  
ANGLES: ±2°

Material: 材质 SEE NOTE  
Finish: 电镀 SEE NOTE  
SHEET 2 OF 5  
第 页 共 页

Designed: 设计 Hanmian Ye  
Checked: 审核 Qianpu Zhao  
Approved: 核准 Robin

NAME: 名称 SFP+ 2x1 Press Fit Connector  
DWG NO: 图号 ESFP12032001-C  
PART NO: 料号 SEE TABLE

REV. 版本 J

第三视角  
A4  
SIZE

SCALE 比例 2:1

UNIT 单位 mm

CUSTOMER: 客户 N/A

MODEL NO: 模号 N/A

1

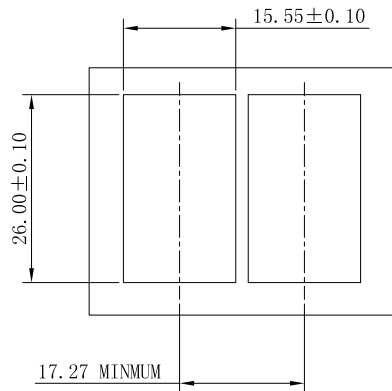
2

3

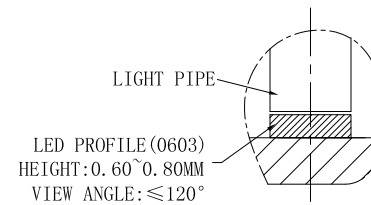
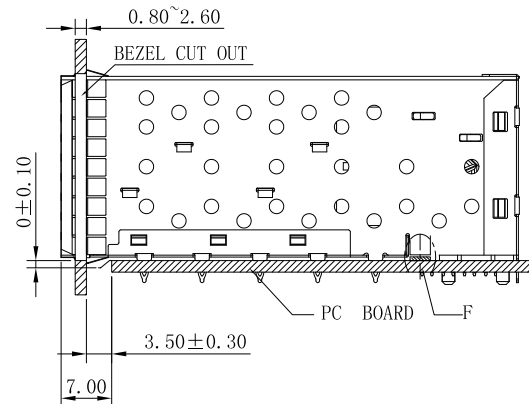
4

REV. 版本	ECN NO. 变更说明	DATE 日期

S+C02



BEZEL CUT-OUT CENTER SPACING DETAIL  
BEZEL THICKNESS: 0.8-2.6



DETAIL F  
SCALE 4:1

RoHS Compliant

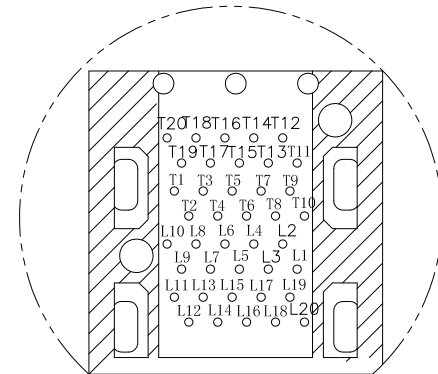
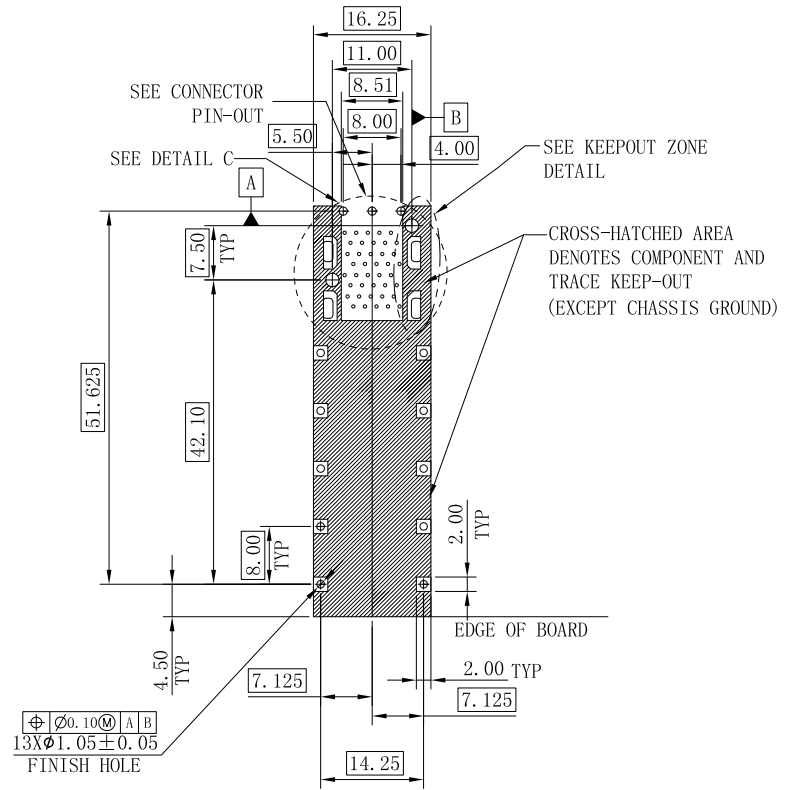
**WOHU** 苏州沃虎电子科技有限公司  
Tel:4001048018 http://www.wohu-tek.com

TOLERANCES  
公差  
.X ±0.25  
.XX ±0.13  
.XXX ±0.10  
ANGLES: ±2°

Material: 材质	SEE NOTE	Designed: 设计	Hanmian Ye	NAME: 名称	SFP+ 2x1 Press Fit Connector	
Finish: 电镀	SEE NOTE	Checked: 审核	Qianpu Zhao	DWG NO: 图号	ESFP12032001-C	REV. 版本
SHEET 3 OF 5 第 3 页 共 5 页		Approved: 核准	Robin	PART NO: 料号	SEE TABLE	J

第三视角	A4 SIZE	SCALE 比例	UNIT 单位	CUSTOMER: 客户	N/A
		2:1	mm	MODEL NO: 模号	N/A

REV. 版本	ECN NO. 变更说明	DATE 日期



CONNECTOR PIN-OUT COMPONENT SIDE OF BOARD

RECOMMENDED PCB LAYOUT-COMPONENT SIDE  
 RECOMMENDED PCB THICKNESS-2.63MM

THE ENTIRE AREA OF THE CONNECTOR FOOTPRINT  
 TO BE CONSIDERED THE KEEP OUT AREA FOR COMPONENTS  
 (OTHER THAN LIGHT PIPE LED'S)  
 THIS AREA IS INDICATED BY THE DASHED LINE

RoHS Compliant

**WOHU** 苏州沃虎电子科技有限公司  
 Tel:4001048018 http://www.wohu-tek.com

TOLERANCES 公差  
 .X ±0.25  
 .XX ±0.13  
 .XXX ±0.10  
 ANGLES: ±2°

Material: 材质 SEE NOTE  
 Finish: 电镀 SEE NOTE  
 SHEET 4 OF 5  
 第 4 页 共 5 页

Designed: 设计 Hanmian Ye  
 Checked: 审核 Qianpu Zhao  
 Approved: 核准 Robin

NAME: 名称  
 DWG NO: 图号  
 PART NO: 料号

SFP+ 2x1 Press Fit Connector  
 ESFP12032001-C  
 SEE TABLE  
 REV. 版本 J

第三视角  
 A4  
 SIZE

SCALE 比例	UNIT 单位	CUSTOMER: 客户	N/A
2:1	mm	MODEL NO: 模号	N/A

