

S+C02

NOTE:
MATERIAL:

- CONTACT: PHOSPHOR BRONZE.
- CONNECTOR HOUSING: LCP UL 94V-0. COLOR: BLACK.
- MOULDED INSERT: HIGH TEMPERATURE PLASTIC UL 94V-0. COLOR:BLACK.
- CAGE: COPPER ALLOY.
- LIGHT PIPES: POLYCARBONATE. UL 94V-0. COLOR:CLEAR
- LIGHT PIPE HOUSING: PBT UL 94V-0 COLOR:BLACK.
- EMI SPRING: COPPER ALLOY.

PLATED:

- CONTACT MATING AREA : PLATING GOLD OVER 1.27 MICROMETERS MINIMUM NICKEL.
- CONTACT NEEDLE EYE: 2.54 MICROMETERS MINIMUM MATTE TIN OVER 1.27 MICROMETERS MINIMUM NICKEL.

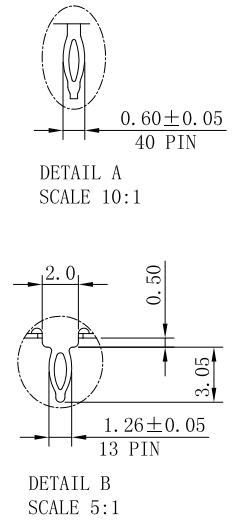
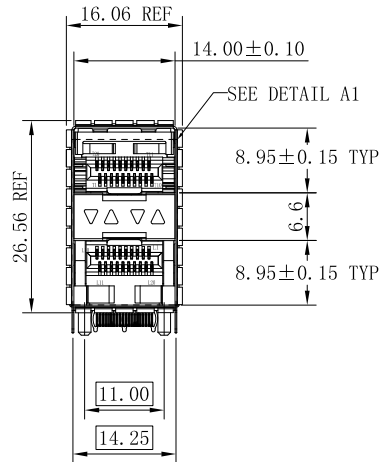
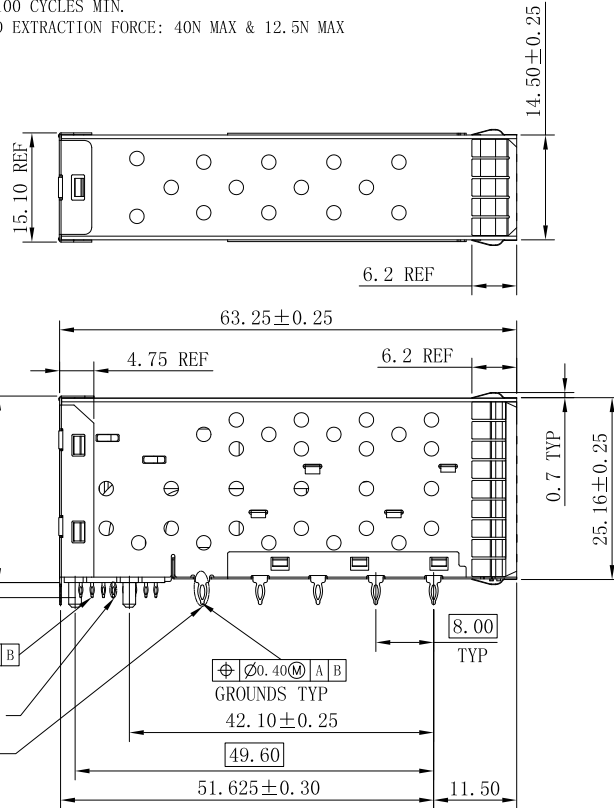
MECHANICAL REQUIREMENT:

- DURABILITY: 100 CYCLES MIN.
- INSERTION AND EXTRACTION FORCE: 40N MAX & 12.5N MAX

ENVIRONMENTAL:

- LOW LEVEL CONTACT RESISTANCE (LLCR):
Δ R 10 MILLIOHMS MAXIMUM FOR SHIELD AND SIGNAL CONTACTS.
- DIELECTRIC WITHSTANDING VOLTAGE: 300V AC/MAX.
- INSULATION RESISTANCE: 1x10⁹ OHMS MINIMUM.
- RATINGS CURRENT: 0.5 AMPS MAX.
- RATINGS VOLTAGE: 30 VOLTS DC/AC(RMS) MAX.
- OPERATION: -40° C~+85° C.
- STORAGE: -55° C~+105° C.
- ROHS COMPLIANT

REV. 版本	ECN NO. 变更说明	DATE 日期
A	图面整理	2015.07.02
B	新增料号	2015.08.18
C	增加料号	2015.09.29
D	增加料号	2016.06.02
E	增加料号	2017.01.16
F	图纸整理	2017.05.26
G	修改标注位置	2018.03.29
H	增加尺寸标注	2020.07.01
J	图面刷新	2020.10.12



RoHS Compliant

WOHU 苏州沃虎电子科技有限公司
Tel:4001048018 http://www.wohu-tek.com

TOLERANCES 公差
.X ±0.25
.XX ±0.13
.XXX ±0.10
ANGLES: ±2°

Material: 材质

SEE NOTE

Designed: 设计

Hanmian Ye

NAME: 名称

SFP+ 2x1 Press Fit Connector

Finish: 电镀

SEE NOTE

Checked: 审核

Qianpu Zhao

DWG NO: 图号

ESFP12032001-C

REV. 版本

J

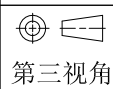
SHEET 1 OF 5
第 页 共 页

Approved: 核准

Robin

PART NO: 料号

SEE TABLE



A4
SIZE

SCALE 比例
2:1

UNIT 单位
mm

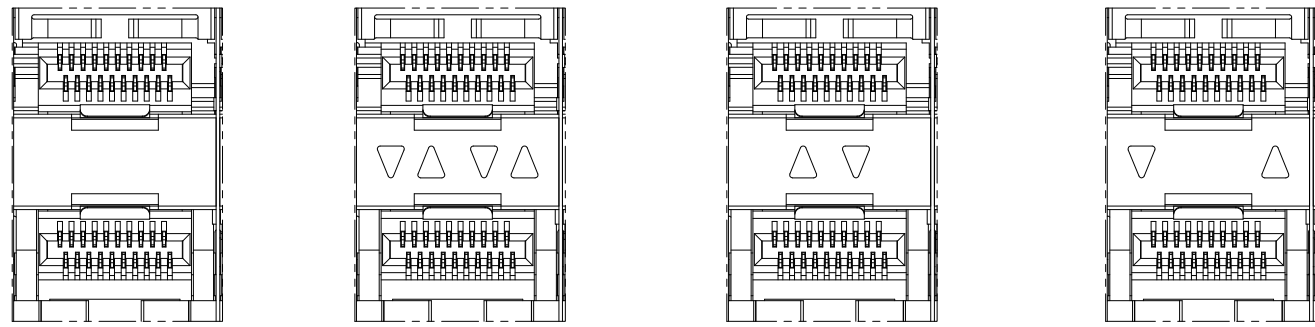
CUSTOMER: 客户
MODEL NO: 模号

N/A

N/A

REV. 版本	ECN NO. 变更说明	DATE 日期

A



TYPE1_NONE LIGHT PIPES

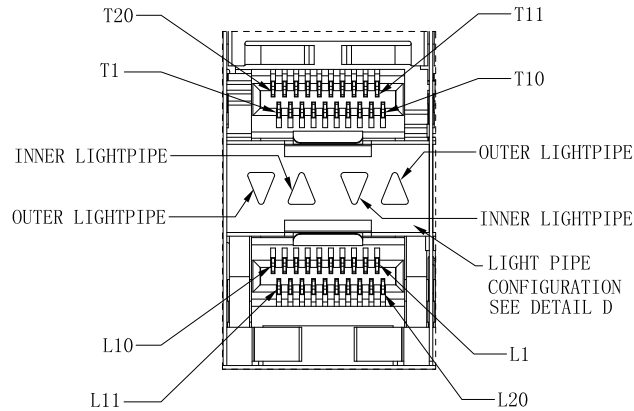
TYPE2_4 LIGHT PIPES

TYPE1_3 INNER LIGHT PIPES

TYPE4_2 OUTER LIGHT PIPES

B

LIGHT PIPE CONFIGURATION
DETAIL D SCALE 2:1



DETAIL A1
SCALE 4:1

PART NUMBER	PART NUMBER (OLD)	DESCRIPTION	LIGHT PIPES	CONTACT PALTING GOLD	LOGO	CAGE PLATING
10715221D008		SFP+2X1 PRESS FIT CONNECTOR	WITH INNER/OUTER LIGHT PIPES	▽△▽△	15u"	WITHOUT LOGO UNPLATED
10715121D002		SFP+2X1 PRESS FIT CONNECTOR	WITHOUT LIGHT PIPES	▽△	15u"	WITHOUT LOGO UNPLATED
10715221D009		SFP+2X1 PRESS FIT CONNECTOR	WITH OUTER LIGHT PIPES	▽ △	15u"	WITHOUT LOGO UNPLATED
10715221D010		SFP+2X1 PRESS FIT CONNECTOR	WITH INNER LIGHT PIPES	△▽	15u"	WITHOUT LOGO UNPLATED
10715221D011		SFP+2X1 PRESS FIT CONNECTOR	WITH INNER/OUTER LIGHT PIPES	▽△▽△	15u"	WITHOUT LOGO Ni 30u"MIN
10715121D005		SFP+2X1 PRESS FIT CONNECTOR	WITHOUT LIGHT PIPES	▽△	15u"	WITHOUT LOGO Ni 30u"MIN
10715221D012		SFP+2X1 PRESS FIT CONNECTOR	WITH OUTER LIGHT PIPES	▽ △	15u"	WITHOUT LOGO Ni 30u"MIN
10715221D013		SFP+2X1 PRESS FIT CONNECTOR	WITH INNER LIGHT PIPES	△▽	15u"	WITHOUT LOGO Ni 30u"MIN
10715221F008	B869S-0030-Y027	SFP+2X1 PRESS FIT CONNECTOR	WITH INNER/OUTER LIGHT PIPES	▽△▽△	30u"	WITHOUT LOGO UNPLATED
10715100F001	B869S-0030-Y028	SFP+2X1 PRESS FIT CONNECTOR	WITHOUT LIGHT PIPES	▽△	30u"	WITHOUT LOGO UNPLATED
10715221F003	B869S-0030-Y029	SFP+2X1 PRESS FIT CONNECTOR	WITH OUTER LIGHT PIPES	▽ △	30u"	WITHOUT LOGO UNPLATED
10715221F016	B869S-0030-Y030	SFP+2X1 PRESS FIT CONNECTOR	WITH INNER LIGHT PIPES	△▽	30u"	WITHOUT LOGO UNPLATED
10715221F033		SFP+2X1 PRESS FIT CONNECTOR	WITH INNER/OUTER LIGHT PIPES	▽△▽△	30u"	WITHOUT LOGO Ni 30u"MIN
10715121F018		SFP+2X1 PRESS FIT CONNECTOR	WITHOUT LIGHT PIPES	▽△	30u"	WITHOUT LOGO Ni 30u"MIN
10715221F034		SFP+2X1 PRESS FIT CONNECTOR	WITH OUTER LIGHT PIPES	▽ △	30u"	WITHOUT LOGO Ni 30u"MIN
10715221F035		SFP+2X1 PRESS FIT CONNECTOR	WITH INNER LIGHT PIPES	△▽	30u"	WITHOUT LOGO Ni 30u"MIN

C

D

RoHS Compliant

WOHU 苏州沃虎电子科技有限公司
Tel:4001048018 http://www.wohu-tek.com

第三视角	A4 SIZE	SCALE 比例	UNIT 单位	CUSTOMER: 客户	N/A
		2:1	mm	MODEL NO: 模号	N/A

TOLERANCES 公差
.X ±0.25
.XX ±0.13
.XXX ±0.10
ANGLES: ±2°

Material: 材质	SEE NOTE	Designed: 设计	Hanmian Ye
Finish: 电镀	SEE NOTE	Checked: 审核	Qianpu Zhao
SHEET 2 OF 5 第 页 共 页		Approved: 核准	Robin

NAME: 名称	SFP+ 2x1 Press Fit Connector
DWG NO: 图号	ESFP12032001-C
PART NO: 料号	SEE TABLE

REV. 版本	J
---------	---

1

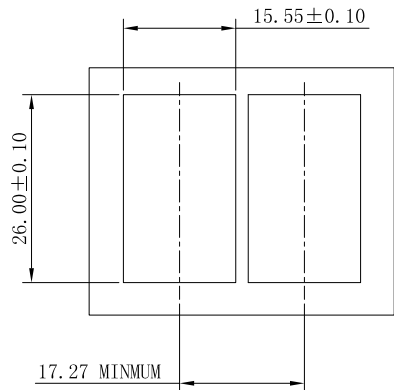
2

3

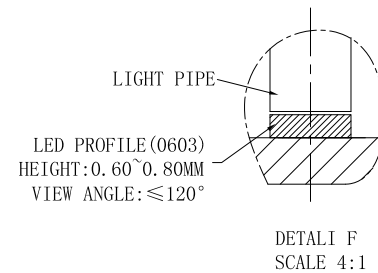
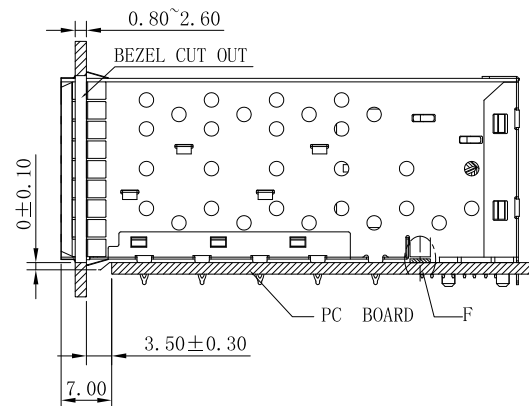
4

REV. 版本	ECN NO. 变更说明	DATE 日期

S+C02



BEZEL CUT-OUT CENTER SPACING DETAIL
BEZEL THICKNESS: 0.8-2.6



RoHS Compliant

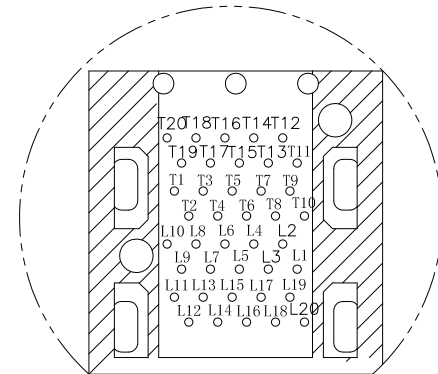
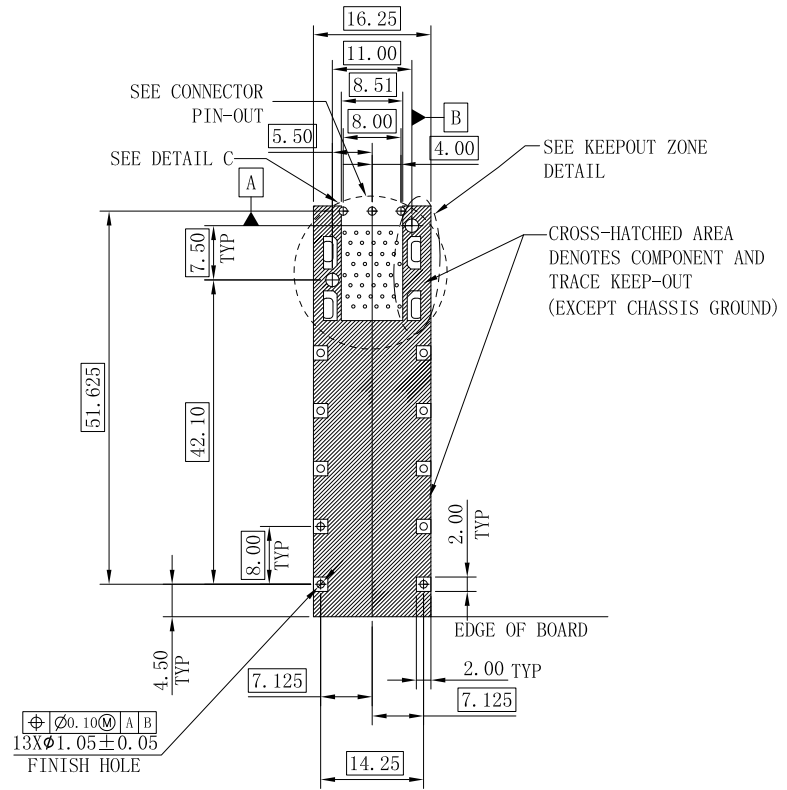
WOHU 苏州沃虎电子科技有限公司
Tel:4001048018 http://www.wohu-tek.com

第三视角	A4 SIZE	SCALE 比例	UNIT 单位	CUSTOMER: 客户	N/A
		2:1	mm	MODEL NO: 模号	N/A

TOLERANCES 公差
.X ±0.25
.XX ±0.13
.XXX ±0.10
ANGLES: ±2°

Material: 材质	SEE NOTE	Designed: 设计	Hanmian Ye	NAME: 名称	SFP+ 2x1 Press Fit Connector	
Finish: 电镀	SEE NOTE	Checked: 审核	Qianpu Zhao	DWG NO: 图号	ESFP12032001-C	REV. 版本
SHEET 3 OF 5 第 3 页 共 5 页		Approved: 核准	Robin	PART NO: 料号	SEE TABLE	J

REV. 版本	ECN NO. 变更说明	DATE 日期



CONNECTOR PIN-OUT
COMPONENT SIDE OF BOARD

RECOMMENDED PCB LAYOUT-COMPONENT SIDE
RECOMMENDED PCB THICKNESS-2.63MM

THE ENTIRE AREA OF THE CONNECTOR FOOTPRINT
TO BE CONSIDERED THE KEEP OUT AREA FOR COMPONENTS
(OTHER THAN LIGHT PIPE LED'S)
THIS AREA IS INDICATED BY THE DASHED LINE

RoHS Compliant

WOHU 苏州沃虎电子科技有限公司
Tel:4001048018 http://www.wohu-tek.com

TOLERANCES
公差
.X ±0.25
.XX ±0.13
.XXX ±0.10
ANGLES: ±2°

Material: 材质 SEE NOTE
Finish: 电镀 SEE NOTE
SHEET 4 OF 5
第 页 共 页

Designed: 设计 Hanmian Ye
Checked: 审核 Qianpu Zhao
Approved: 核准 Robin

NAME: 名称
DWG NO: 图号
PART NO: 料号

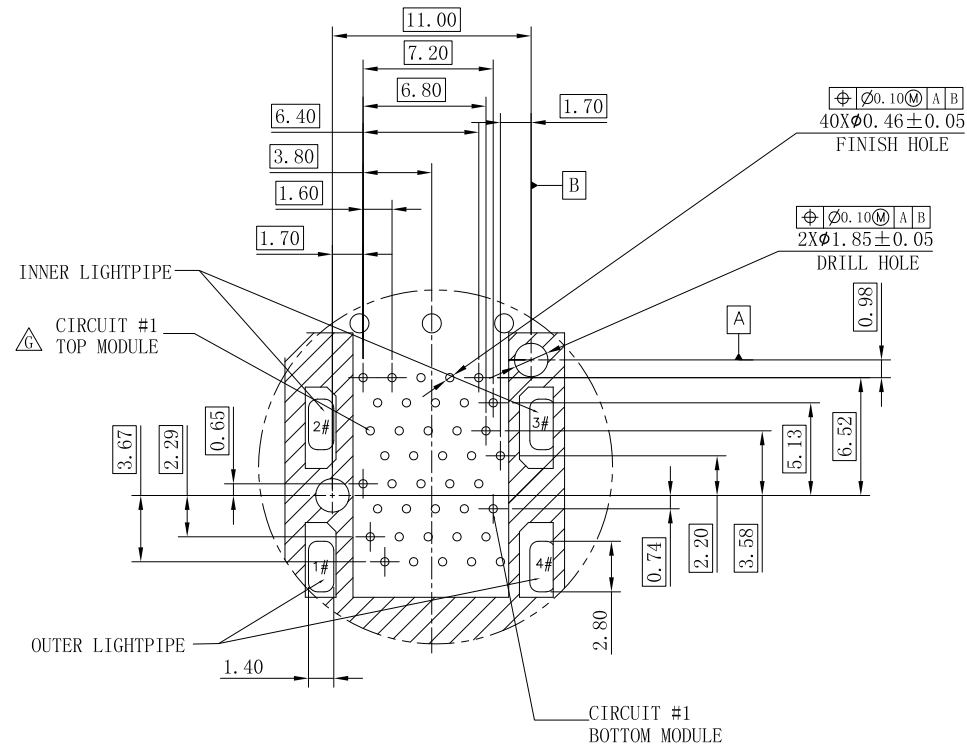
SFP+ 2x1 Press Fit Connector
ESFP12032001-C
SEE TABLE
REV. 版本 J

第三视角
A4
SIZE

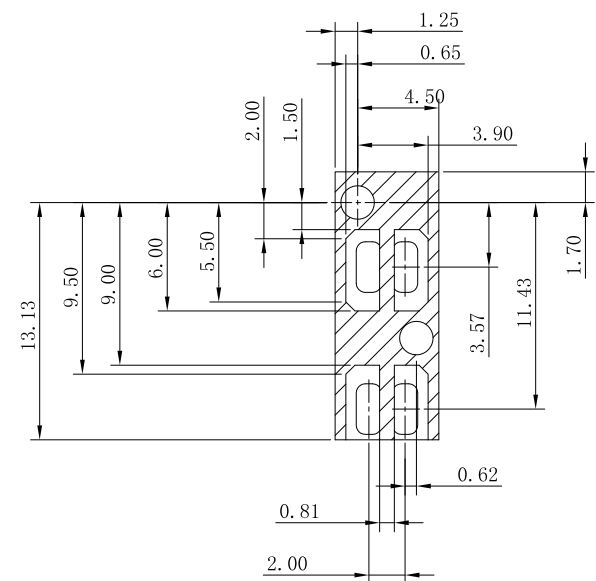
SCALE 比例	UNIT 单位	CUSTOMER: 客户	N/A
2:1	mm	MODEL NO: 模号	N/A

REV. 版本	ECN NO. 变更说明	DATE 日期

S+C02



DETAIL C
SCALE 5:1



KEEPOUT ZONE
DETAIL SCALE 5:1

RoHS Compliant

WOHU 苏州沃虎电子科技有限公司
Tel:4001048018 http://www.wohu-tek.com

TOLERANCES
公差
.X ±0.25
.XX ±0.13
.XXX ±0.10
ANGLES: ±2°

Material: 材质 SEE NOTE
Finish: 电镀 SEE NOTE
SHEET 5 OF 5
第 页 共 页

Designed: 设计 Hanmian Ye
Checked: 审核 Qianpu Zhao
Approved: 核准 Robin

NAME: 名称
DWG NO: 图号
PART NO: 料号

SFP+ 2x1 Press Fit Connector
ESFP12032001-C
SEE TABLE
REV. 版本 J

第三视角
A4
SIZE

SCALE 比例	UNIT 单位	CUSTOMER: 客户	MODEL NO: 模号
2:1	mm	N/A	N/A