

CUSTOMER DRAWING

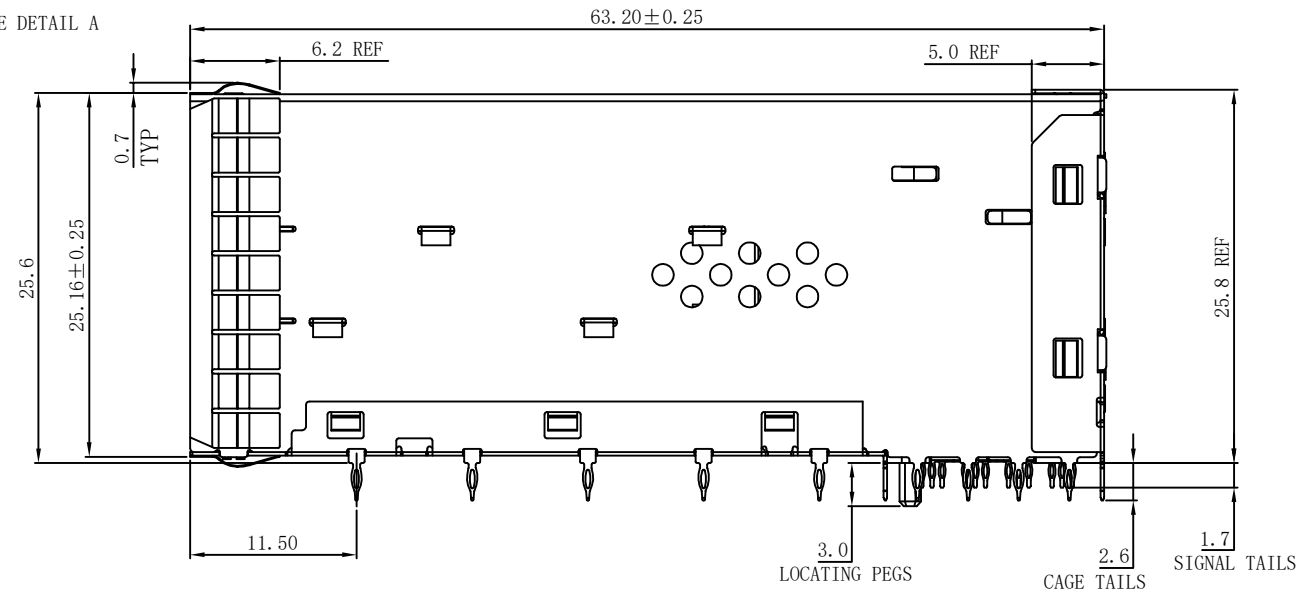
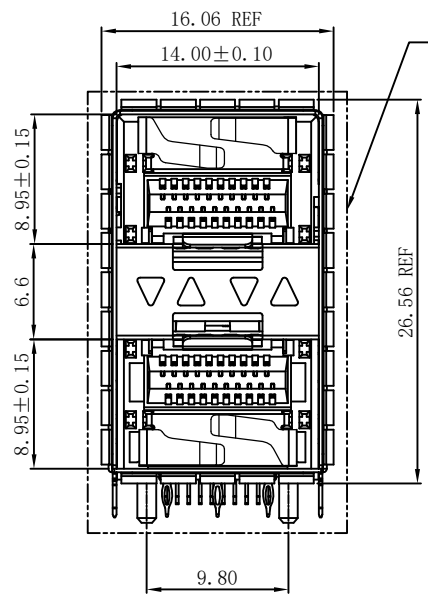
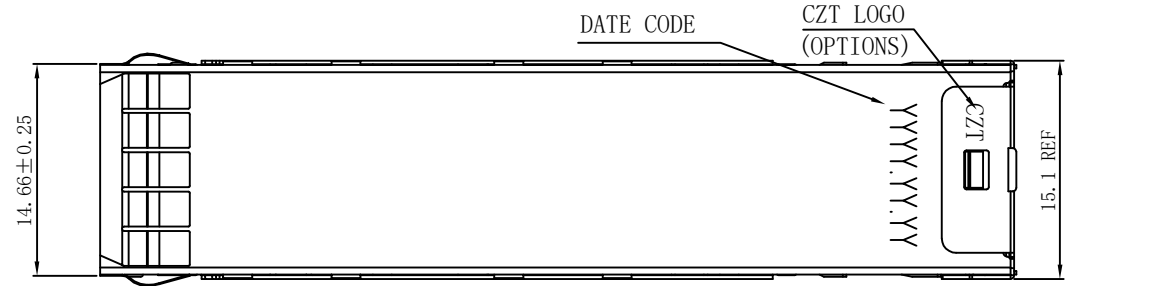
REV. 版本	ECN NO. 变更说明	DATE 日期
A-E	详见老版图纸	
F	修改图面	2020.06.17
G	封装区域调整	2021.02.03

NOTE:

- MATERIAL:
- CONTACT: PHOSPHOR BRONZE.
  - CONNECTOR HOUSING: LCP UL 94V-0. COLOR: BLACK.
  - MOULDED INSERT: HIGH TEMPERATURE PLASTIC UL 94V-0. COLOR:BLACK.
  - CAGE: COPPER ALLOY.
  - LIGHT PIPES: POLYCARBONATE. UL 94V-0. COLOR:CLEAR
  - LIGHT PIPE HOUSING: PBT UL 94V-0 COLOR:BLACK.
  - EMI CLIP: COPPER ALLOY.

PLATED:

- CONTACT MATING AREA : PLATING GOLD 0.76 MICROMETERS MINIMUM OVER 1.27 MICROMETERS MINIMUM NICKEL.
- CONTACT NEEDLE EYE: 1.27 MICROMETERS MINIMUM MATTE TIN OVER 1.27 MICROMETERS MINIMUM NICKEL.



RoHS Compliant

**WOHU** 苏州沃虎电子科技有限公司  
Tel:4001048018 http://www.wohu-tek.com

TOLERANCES 公差  
.X ±0.25  
.XX ±0.13  
.XXX ±0.10  
ANGLES: ±2°

Material: 材质	SEE NOTE	Designed: 设计	Lamei Tang	NAME: 名称	SFP28 2X1 CONNECTOR	
Finish: 电镀	SEE NOTE	Checked: 审核	Qianpu Zhao	DWG NO: 图号	ESF160401-C	REV. 版本
SHEET 1 OF 4 第 页 共 页		Approved: 核准	Robin	PART NO: 料号	SEE TABLE	G

第三视角  
A4  
SIZE

SCALE 比例	UNIT 单位	CUSTOMER: 客户	MODEL NO: 模号
1:1	mm	N/A	N/A

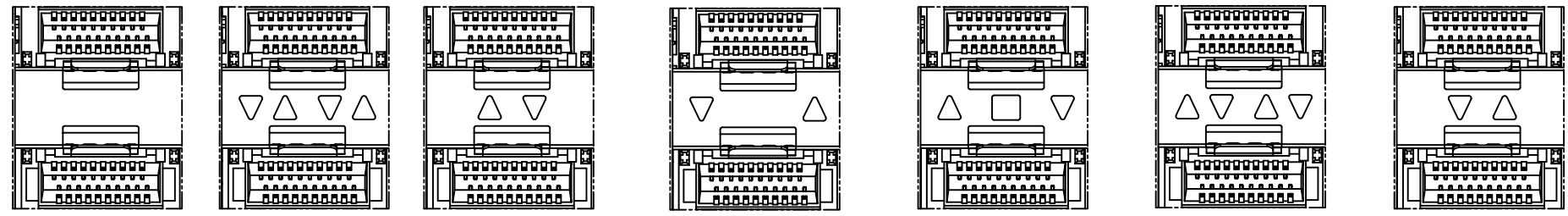
CUSTOMER DRAWING

LIGHT PIPE CONFIGURATION  
DETAIL B SCALE 2:1

REV. 版本	ECN NO. 变更说明	DATE 日期

A

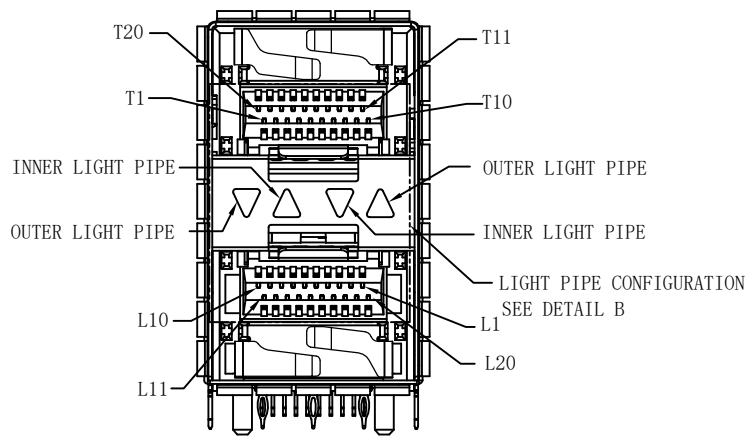
A



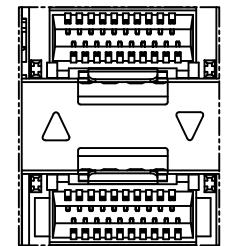
- |   |  |  |  |  |  |  |
|---|--|--|--|--|--|--|
| TYPE1_NONE LIGHT PIPE<br>10732021F002<br>10732021F003 | TYPE2_4 LIGHT PIPE<br>10732121F002<br>10732121F001 | TYPE3_2 INNER LIGHT PIPE<br>10732221F003<br>10732221F002 | TYPE4_2 OUTER LIGHT PIPE<br>10732321F002<br>10732321F006 | TYPE5_3 LIGHT PIPE<br>10732521F002<br>10732521F001 | TYPE6_4 LIGHT PIPE<br>10732121F003<br>10732121F004 | TYPE7_2 INNER LIGHT PIPE<br>10732221F004<br>10732221F005 |
|---|--|--|--|--|--|--|

B

B



DETAIL A



TYPE8\_2 OUTER LIGHT PIPE  
10732321F003  
10732321F004

10732321F004	TYPE8_2 OUTER LIGHT PIPE	△ ▽	NONE LOGO
10732221F005	TYPE7_2 INNER LIGHT PIPE	▽ △	
10732121F004	TYPE6_4 LIGHT PIPE	△ ▽ △ ▽	
10732521F002	TYPE5_3 LIGHT PIPE	△ □ ▽	
10732321F002	TYPE4_2 OUTER LIGHT PIPE	▽ △	
10732221F003	TYPE3_2 INNER LIGHT PIPE	△ ▽	LOGO
10732121F002	TYPE2_4 LIGHT PIPE	▽ △ ▽ △	
10732021F003	TYPE1_NONE LIGHT PIPE		
10732321F003	TYPE8_2 OUTER LIGHT PIPE	△ ▽	
10732221F004	TYPE7_2 INNER LIGHT PIPE	▽ △	
10732121F003	TYPE6_4 LIGHT PIPE	△ ▽ △ ▽	LOGO
10732521F001	TYPE5_3 LIGHT PIPE	△ □ ▽	
10732321F006	TYPE4_2 OUTER LIGHT PIPE	▽ △	
10732221F002	TYPE3_2 INNER LIGHT PIPE	△ ▽	
10732121F001	TYPE2_4 LIGHT PIPE	▽ △ ▽ △	
10732021F002	TYPE1_NONE LIGHT PIPE		LOGO
PART NUMBER	LIGHT PIPE CONFIGURATION		

C

C

RoHS Compliant

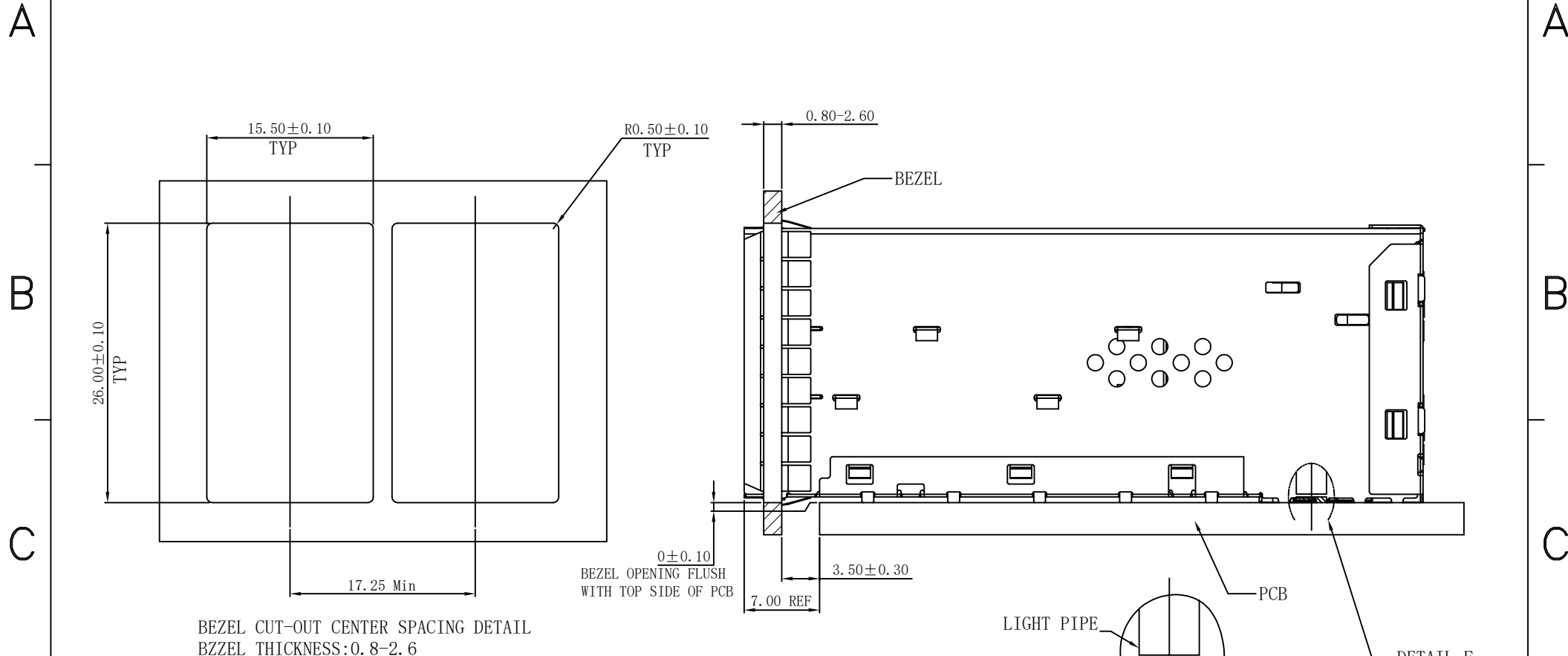
D

D

苏州沃虎电子科技有限公司 Tel:4001048018 http://www.wohu-tek.com		TOLERANCES 公差 .X ±0.25 .XX ±0.13 .XXX ±0.10 ANGLES: ±2°	Material: 材质 SEE NOTE	Designed: 设计 Lamei Tang	NAME: 名称 SFP28 2X1 CONNECTOR
第三视角 A4 SIZE	SCALE 比例 1:1	UNIT 单位 mm	CUSTOMER: 客户 N/A	Model No: 型号 N/A	Finish: 电镀 SEE NOTE
SHEET 2 OF 4 第 页 共 页		Checked: 审核 Qianpu Zhao	Approved: 核准 Robin	DWG NO: 图号 ESF160401-C	REV. 版本 G
				PART NO: 料号 SEE TABLE	

CUSTOMER DRAWING

REV. 版本	ECN NO. 变更说明	DATE 日期



BEZEL CUT-OUT CENTER SPACING DETAIL  
BEZEL THICKNESS: 0.8-2.6

LED PROFILE (0603)  
HEIGHT: 0.60~0.80MM  
VIEW ANGLE: ≤120°

DETAIL F  
SCALE 2:1

RoHS Compliant

**WOHU** 苏州沃虎电子科技有限公司  
Tel: 4001048018 <http://www.wohu-tek.com>

TOLERANCES  
公差

.X	±0.25
.XX	±0.13
.XXX	±0.10

ANGLES: ±2°

Material: 材质	SEE NOTE	Designed: 设计	Lamei Tang	NAME: 名称	SFP28 2X1 CONNECTOR	
Finish: 电镀	SEE NOTE	Checked: 审核	Qianpu Zhao	DWG NO: 图号	ESF160401-C	REV. 版本
SHEET 3 OF 4 第 3 页 共 4 页		Approved: 核准	Robin	PART NO: 料号	SEE TABLE	G

第三视角

A4  
SIZE

SCALE 比例	UNIT 单位	CUSTOMER: 客户	N/A
1:1	mm	MODEL NO: 模号	N/A

CUSTOMER DRAWING

REV. 版本	ECN NO. 变更说明	DATE 日期

A

B

C

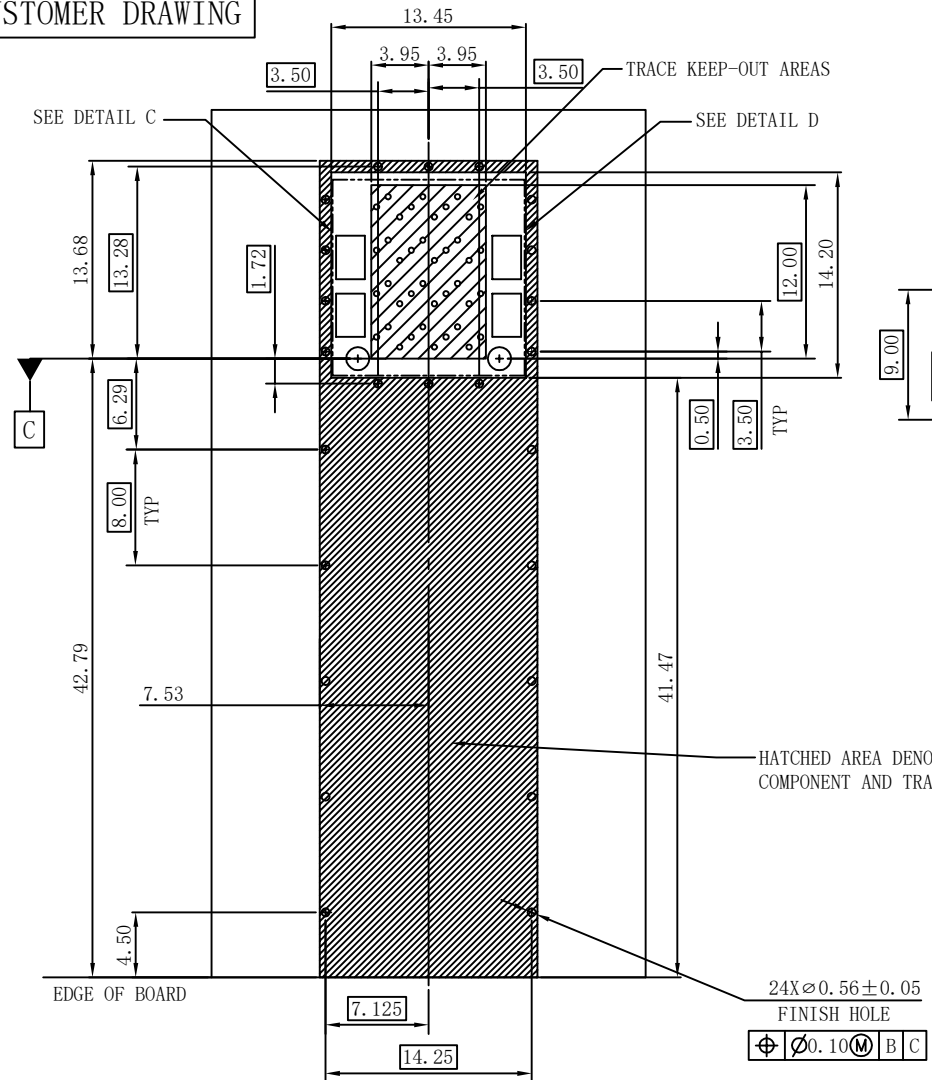
D

A

B

C

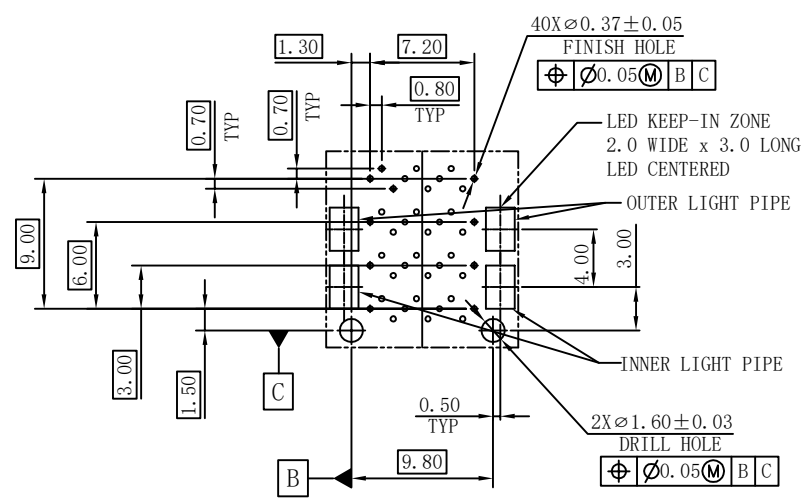
D



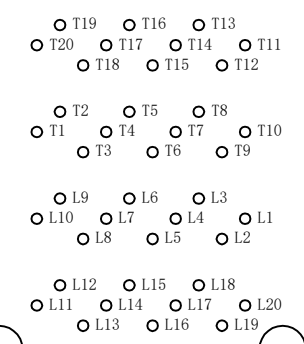
RECOMMENDED PCB LAYOUT-COMPONENT SIDE  
RECOMMENDED PCB THICKNESS-2.63mm

HATCHED AREA DENOTES  
COMPONENT AND TRACE KEEP-OUT

DETAIL C



PIN MAP



DETAIL D

RoHS Compliant

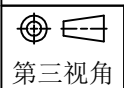
**WOHU** 苏州沃虎电子科技有限公司  
Tel:4001048018 http://www.wohu-tek.com

TOLERANCES  
公差  
.X  $\pm 0.25$   
.XX  $\pm 0.13$   
.XXX  $\pm 0.10$   
ANGLES:  $\pm 2^\circ$

Material: 材质 SEE NOTE  
Finish: 电镀 SEE NOTE  
SHEET 4 OF 4  
第 页 共 页

Designed: 设计 Lamei Tang  
Checked: 审核 Qianpu Zhao  
Approved: 核准 Robin

NAME: 名称 SFP28 2X1 CONNECTOR  
DWG NO: 图号 ESF160401-C  
PART NO: 料号 SEE TABLE  
REV. 版本 G



A4  
SIZE

SCALE 比例 1:1  
UNIT 单位 mm

CUSTOMER: 客户 N/A  
MODEL NO: 模号 N/A