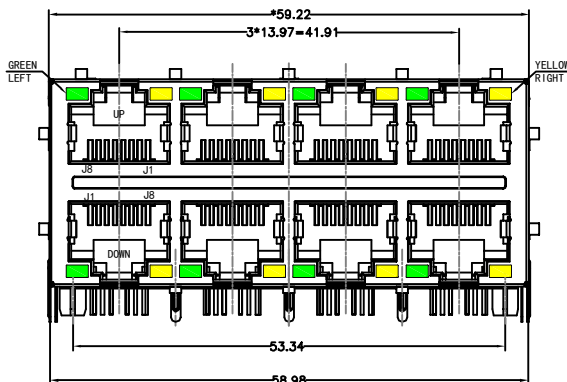
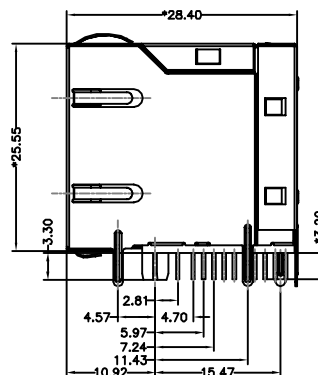


REACH & RoHS  
COMPLIANT

| REV. | ECN / DESCRIPTION | BY    | DATE       |
|------|-------------------|-------|------------|
| A0   | NEW               | ZG.Hu | 2018.01.16 |



FRONT VIEW



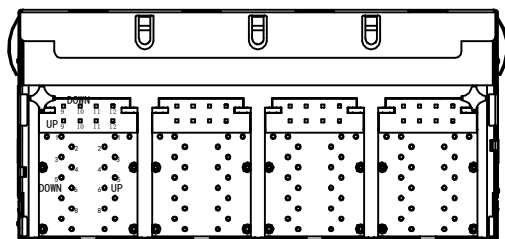
RIGHT SIDE VIEW

**MATERIAL:**

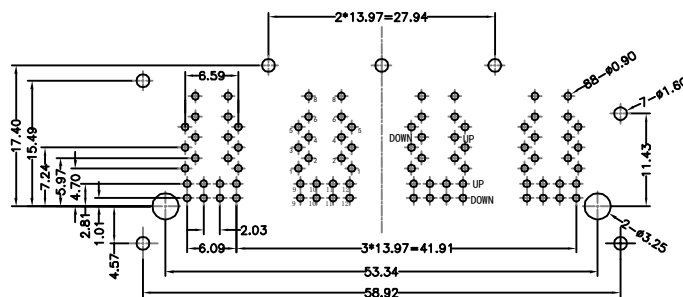
HOUSING: PA66,UL94V-0,BLACK.  
TERMINALS BRACKET: PBT,UL94V-0,BLACK.  
SHIELD: C2680,T=0.20MM,NICKEL PLATING ON ALL AREA.  
TERMINAL: PHOSPHOR BRONZE C5210,T=0.35MM,  
6U" GOLD PLATING ON CONTACT AREA.

**MECHANICAL:**

DURABILITY: 750 CYCLES MIN.  
MATING FORCE: 23N MAX.  
OPERATING TEMPERATURE: -40°C~+85°C.  
STORAGE TEMPERATURE: -40°C~+85°C.  
ALL CRITICAL DIMENSIONS WITH "\*"



BOTTOM VIEW



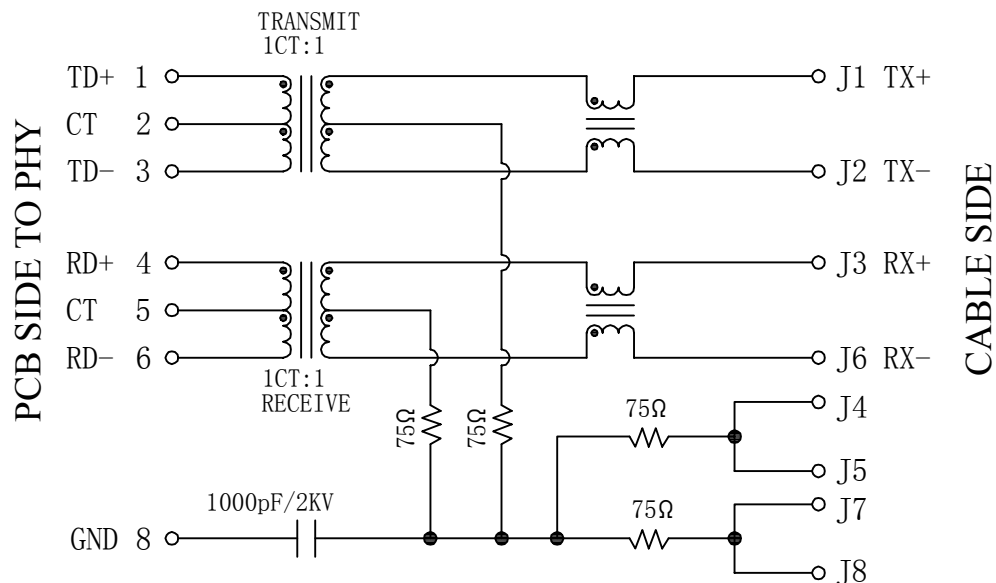
RECOMMENDED PCB LAYOUT  
VIEWED FROM COMPONENT SIDE

**WOHU** 苏州沃虎电子科技有限公司  
Su Zhou Wo Hu Electronic Tech.Co.,Ltd.

|                                 |              |                   |  |            |                         |
|---------------------------------|--------------|-------------------|--|------------|-------------------------|
| TITLE:<br>RJ45 2X4 100BASE      | SIZE<br>A4   | UNITS<br>MM[INCH] | GENERAL TOLERANCES<br>UNLESS SPECIFIED |            | APPROVED BY:<br>JP.Gong |
| PART NO.:<br>SYT24B083DC2A2D057 | SACLE<br>1:1 | REV<br>A0         | x±0.35                                 | x°±3.0°    | CHECKED BY:<br>TW.Xu    |
| REMARK:                         | SHEET<br>1/3 |                   | .xx±0.25                               | .xx°±1.5°  | DESIGND BY:<br>ZG.Hu    |
|                                 |              |                   | .xxx±0.10                              | .xxx°±1.0° |                         |

REACH & RoHS  
COMPLIANT

| REV. | ECN / DESCRIPTION | BY    | DATE       |
|------|-------------------|-------|------------|
| A0   | NEW               | ZG.Hu | 2018.01.16 |

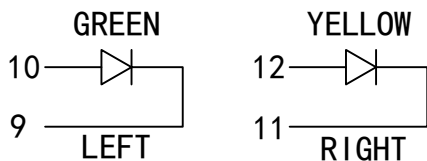


**Electrical:**

- Turn ratio: 1~3: J1~J2=1CT:1CT(±2%),  
4~6: J3~J6=1CT:1CT(±2%).
- OCL: 350uH Min.at 100KHz 100mV 8mA DC.
- Insertion Loss: -1.0 dB Max 1~100MHz.
- Return loss: -20dB Min 1~10MHz;  
-16dB Min 10~30MHz.  
-12dB Min 30~60MHz.  
-10dB Min 60~80MHz.
- Cross talk: -40dB Min 1~30MHz;  
-35dB Min 30~60MHz;  
-30dB Min 60~100MHz;
- CMR: -30dB Min 1~100MHz;
- Hi-Pot: 1500V AC & 2250V DC  
6S 1mA PRI TO SEC

**LED Specification**

| Standard LED Color | LED Wavelength | Foward(A) | Foward(V)  |
|--------------------|----------------|-----------|------------|
| Green              | 568nm          | 20mA      | 1.85-2.45V |
| Yellow             | 585nm          | 20mA      | 1.7-2.2V   |



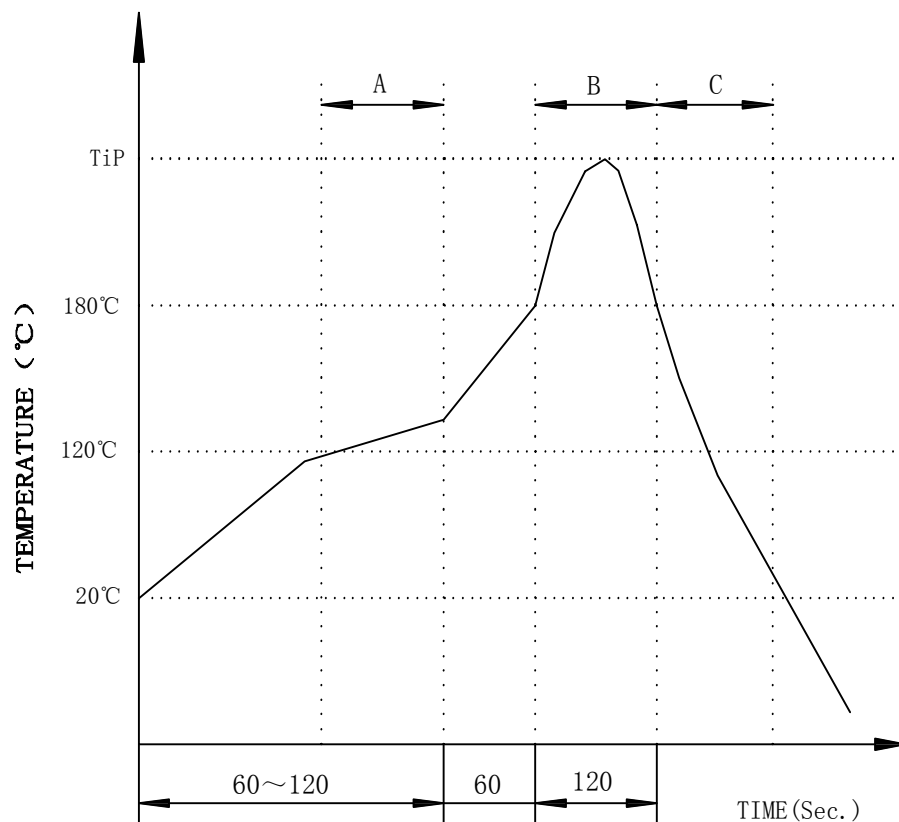
**WOHU** 苏州沃虎电子科技有限公司  
Su Zhou Wo Hu Electronic Tech.Co.,Ltd.

|                                 |              |                   |  |            |                         |
|---------------------------------|--------------|-------------------|--|------------|-------------------------|
| TITLE:<br>RJ45 2X4 100BASE      | SIZE<br>A4   | UNITS<br>MM[INCH] | GENERAL TOLERANCES<br>UNLESS SPECIFIED |            | APPROVED BY:<br>JP.Gong |
| PART NO.:<br>SYT24B083DC2A2D057 | SACLE<br>1:1 | REV<br>A0         | x±0.35                                 | x°±3.0°    | CHECKED BY:<br>TW.Xu    |
| REMARK:                         | SHEET<br>2/3 |                   | .xx±0.25                               | .xx°±1.5°  | DESIGN BY:<br>ZG.Hu     |
|                                 |              |                   | .xxx±0.10                              | .xxx°±1.0° |                         |

REACH & RoHS  
COMPLIANT

# PROFILE OF WAVE SOLDER

| REV. | ECN / DESCRIPTION | BY    | DATE       |
|------|-------------------|-------|------------|
| A0   | NEW               | ZG.Hu | 2018.01.16 |



A.Preheating B.Soldering C.Gradual Cooling  
 Tip temperature:260±5°C.  
 Tip temperature time:5Sec Max.  
 Tip melting point of Sn96.5/Ag3/Cu0.5:217°C.

Remarks: after wave soldering, the plastic positioning columns of the product which under the PCB will be slightly melted, but it won't affect its function.

**WOHU** 苏州沃虎电子科技有限公司  
 Su Zhou Wo Hu Electronic Tech.Co.,Ltd.

|                                   |              |                   |  |            |                         |
|-----------------------------------|--------------|-------------------|--|------------|-------------------------|
| TITLE:<br>RJ45 2X4 100BASE        | SIZE<br>A4   | UNITS<br>MM[INCH] | GENERAL TOLERANCES<br>UNLESS SPECIFIED |            | APPROVED BY:<br>JP.Gong |
| PART NO.:<br>SYT24B083DC2A2D057 R | SACLE<br>1:1 | REV<br>A0         | x±0.35                                 | x°±3.0°    | CHECKED BY:<br>TW.Xu    |
| EMARK:                            | SHEET<br>3/3 |                   | .xx±0.25                               | .xx°±1.5°  | DESIGND BY:<br>ZG.Hu    |
|                                   |              |                   | .xxx±0.10                              | .xxx°±1.0° |                         |