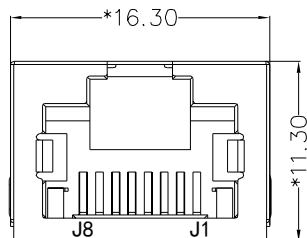
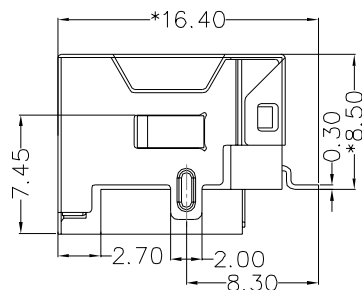


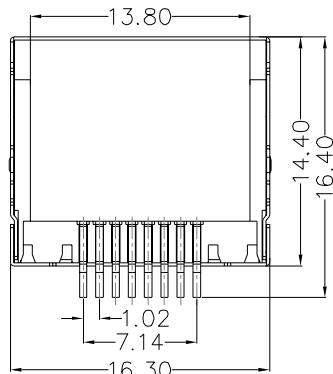
REACH & RoHS  
COMPLIANT



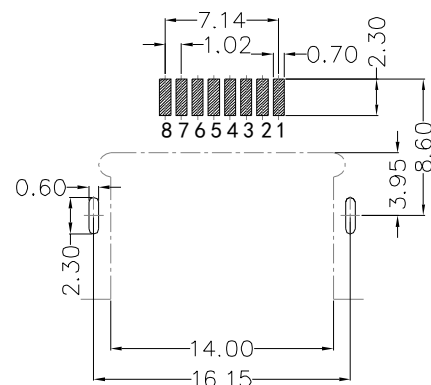
FRONT VIEW



RIGHT SIDE VIEW



BOTTOM VIEW



RECOMMENDED PCB LAYOUT  
VIEWED FROM COMPONENT SIDE

**MATERIAL:**

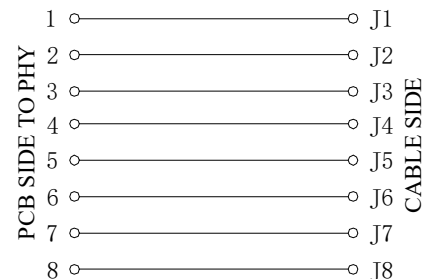
HOUSING: LCP,UL94V-0,BLACK.  
TERMINAL: PHOSPHOR BRONZE T=0.30MM,  
0.6U" GOLD PLATING ON CONTACT AREA.  
SHIELD: BRASS ,T=0.20mm.

**MACHANICAL:**

DURABILITY: 750 CYCLES MIN,12.5MM/MINUTE.  
INSERTION FORCE: 2.2KG.F MAX.  
RETENTION STRENGTH : 7.7KG.F BETWEEN JACK AND PLUG .  
OPERATING TEMPERATURE: -40℃~+85℃.  
STORAGE TEMPERATURE: -40℃~+85℃.  
ALL CRITICAL DIMENSIONS WITH "\*"

**ELECTRICAL:**

CURRENT RATING : 500mA.  
DIELECTRIC STRENGTH: 500 VAC RMS 50HZ OR 60HZ,1 MIN.  
INSULATION RESISTANCE: 100 MEGA OHMS MIN.AT DC 100V.  
CONTACT RESISTANCE: 45 MEGA OHMS MAX.



**沃虎** 苏州沃虎电子科技有限公司  
VOOHU Su Zhou Voohu Electronic Tech.Co.Ltd

TEL: +86 400 1048 018

WEB: WWW.WOHU-TEK.COM

TITLE:  
RJ45 SMT 沉板式

PART NO.:  
SYTCB851188GWW6SB1133

REMARK:

SIZE  
A4

SACLE  
1:1

SHEET  
1/4



UNITS  
MM[INCH]

REV  
A0

GENERAL TOLERANCES  
UNLESS SPECIFIED

$x \pm 0.35$	$x^\circ \pm 3.0^\circ$
$.x \pm 0.30$	$.x^\circ \pm 2.0^\circ$
$.xx \pm 0.25$	$.xx^\circ \pm 1.5^\circ$
$.xxx \pm 0.10$	$.xxx^\circ \pm 1.0^\circ$

APPROVED BY:  
Geoffrey.Song

CHECKED BY:  
Elvis.Song

DESIGND BY:  
Sunny.Xu