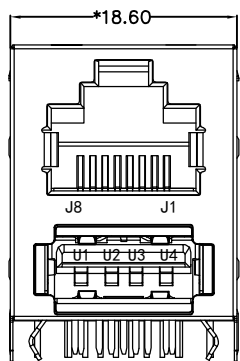
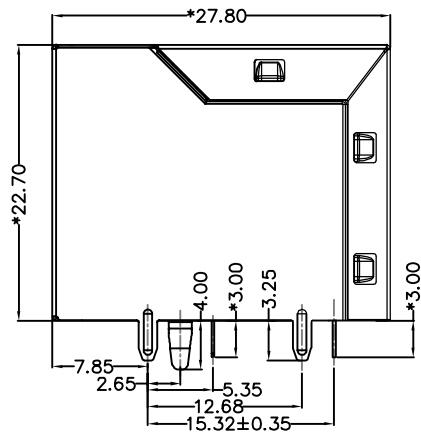


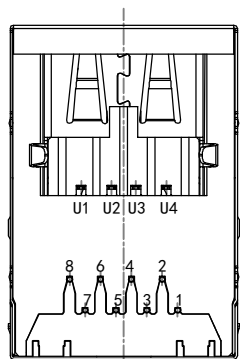
REACH & RoHS
COMPLIANT



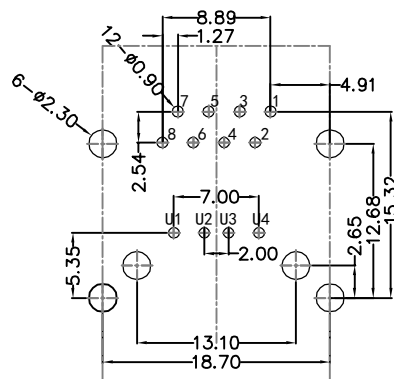
FRONT VIEW



RIGHT SIDE VIEW



BOTTOM VIEW



RECOMMENDED PCB LAYOUT
VIEWED FROM COMPONENT SIDE

MATERIAL:

RJ45:
HOUSING: PBT,UL94V-0,BLACK.
RJ45 TERMINAL: PHOSPHOR BRONZE $\varnothing=0.46\text{MM}$, G/FU" GOLD PLATING.
SHIELD: BRASS(H65)

USB:

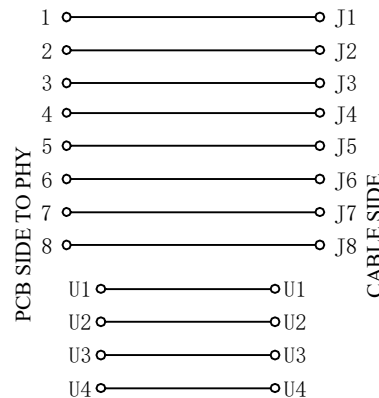
HOUSING: PBT,UL94V-0,WHITE.
USB TERMINAL: BRASS(H65) T=0.35MM, G/FU" GOLD PLATING.
SHIELD: IRON.

MACHANICAL:

DURABILITY: 750 CYCLES MIN,12.5MM/MINUTE.
INSERTION FORCE: 2.2KG.F MAX.
RETENTION STRENGTH : 7.7KG.F BETWEEN JACK AND PLUG.
OPERATING TEMPERATURE: $-40^{\circ}\text{C}\sim+85^{\circ}\text{C}$.
STORAGE TEMPERATURE: $-40^{\circ}\text{C}\sim+85^{\circ}\text{C}$.
ALL CRITICAL DIMENSIONS WITH "*"

ELECTRICAL:

VOLTAGE: 125 VOLTS AC.
CURRENT RATING : 1.5AMP.
DIELECTRIC STRENGTH: 1000 VAC RMS 50HZ OR 60HZ,1MIN.
INSULATION RESISTANCE: 500 MEGA OHMS MIN. INITIAL
AFTER 500V DC FOR 1 MINUTE.
CONTACT RESISTANCE: SINGLE TERMINAL 30 MILLIOHMS MAX.
INITIAL 50 MILLIOHMS MAX. AFTER
DURABILITY TEST.



沃虎 苏州沃虎电子科技有限公司
VOOHU Su Zhou Voohu Electronic Tech.Co.Ltd

TITLE:
RJ45+USB2.0

SIZE
A4
UNITS
MM[INCH]

GENERAL TOLERANCES
UNLESS SPECIFIED

APPROVED BY:
Geoffrey.Song

PART NO.:
SYTRU121188GWW1DY1054

SACLE
1:1
REV
A0

$x\pm 0.35$
 $.x\pm 0.30$

$x^{\circ}\pm 3.0^{\circ}$
 $.x^{\circ}\pm 2.0^{\circ}$

CHECKED BY:
Elvis.Song

TEL: +86 400 1048 018

WEB: WWW.WOHU-TEK.COM

REMARK:

SHEET
1/4



$.xx\pm 0.25$
 $.xxx\pm 0.10$

$.xx^{\circ}\pm 1.5^{\circ}$
 $.xxx^{\circ}\pm 1.0^{\circ}$

DESIGND BY:
Sunny.Xu