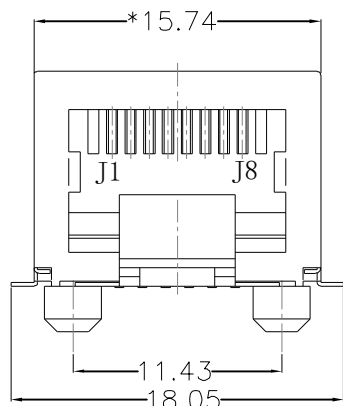
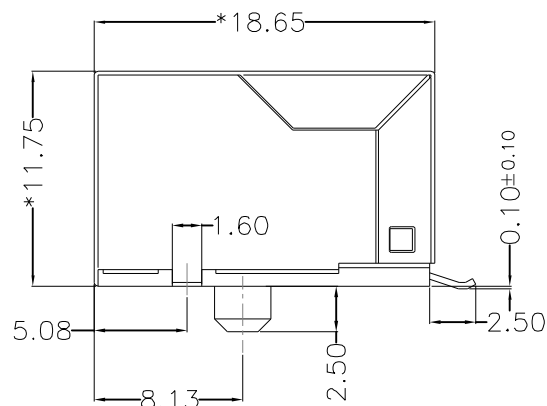


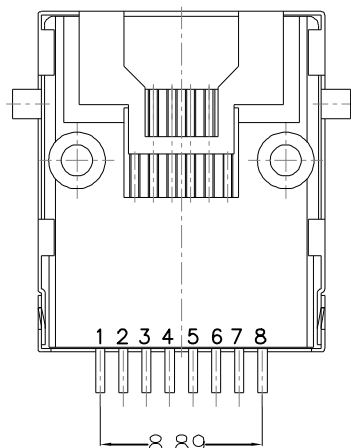
REACH & RoHS  
COMPLIANT



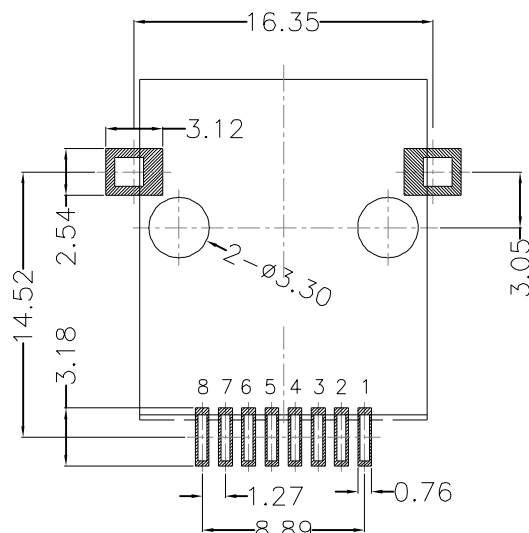
FRONT VIEW



RIGHT SIDE VIEW



BOTTOM VIEW



RECOMMENDED PCB LAYOUT  
VIEWED FROM COMPONENT SIDE

**MATERIAL:**

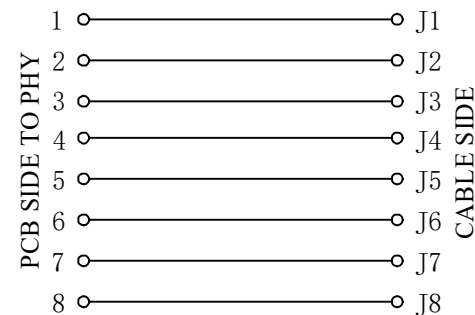
HOUSING: PA9T,UL94V-0,BLACK.  
TERMINAL: PHOSPHOR BRONZE T=0.35MM,  
6U" GOLD PLATING ON CONTACT AREA.  
SHIELD: C2680,T=0.20MM,20U" MIN NICKEL PLATING  
ON ALL AREA.

**MECHANICAL:**

DURABILITY: 750 CYCLES MIN,12.5MM/MINUTE.  
INSERTION FORCE: 2.2KG.F MAX.  
RETENTION STRENGTH : 7.7KG.F BETWEEN JACK AND PLUG.  
OPERATING TEMPERATURE: -40°C~+85°C.  
STORAGE TEMPERATURE: -40°C~+85°C.  
ALL CRITICAL DIMENSIONS WITH "\*"

**ELECTRICAL:**

VOLTAGE: 125 VOLTS AC.  
CURRENT RATING : 1.5AMP.  
DIELECTRIC STRENGTH: 1000 VAC RMS 50HZ OR 60HZ,1MIN.  
INSULATION RESISTANCE: 500 MEGA OHMS MIN. INITIAL  
AFTER 500V DC FOR 1 MINUTE.  
CONTACT RESISTANCE: SINGLE TERMINAL 30 MILLIOHMS MAX.  
INITIAL 50 MILLIOHMS MAX. AFTER  
DURABILITY TEST.



 沃虎 苏州沃虎电子科技有限公司  
VOOHU Su Zhou Voohu Electronic Tech.Co.Ltd

TITLE:  
56T SMT 10P8C

SIZE  
A4

UNITS  
MM[INCH]

GENERAL TOLERANCES  
UNLESS SPECIFIED

APPROVED BY:  
Geoffrey.Song

PART NO.:  
SYT56T1118GWA5SB4078

SACLE  
1:1

REV  
A0

$x \pm 0.35$   
 $.x \pm 0.30$   
 $.xx \pm 0.25$   
 $.xxx \pm 0.10$

$x^\circ \pm 3.0^\circ$   
 $.x^\circ \pm 2.0^\circ$   
 $.xx^\circ \pm 1.5^\circ$   
 $.xxx^\circ \pm 1.0^\circ$

CHECKED BY:  
Elvis.Song  
DESIGND BY:  
Sunny.Xu

TEL: +86 400 1048 018

WEB: [WWW.WOHU-TEK.COM](http://WWW.WOHU-TEK.COM)

REMARK:

SHEET  
1/4

