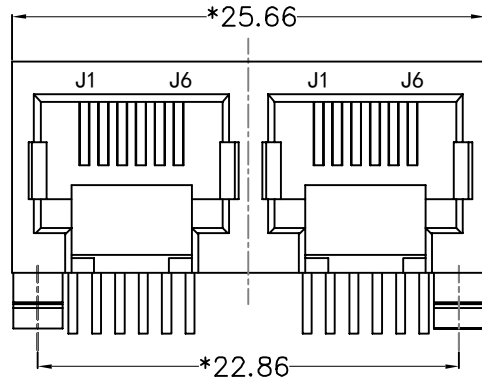
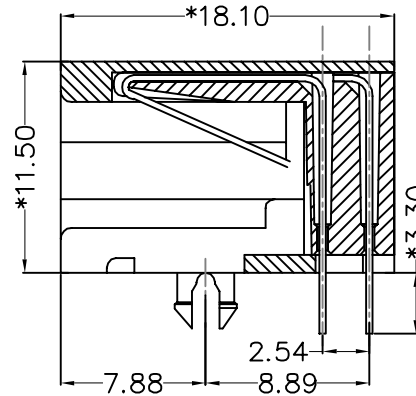


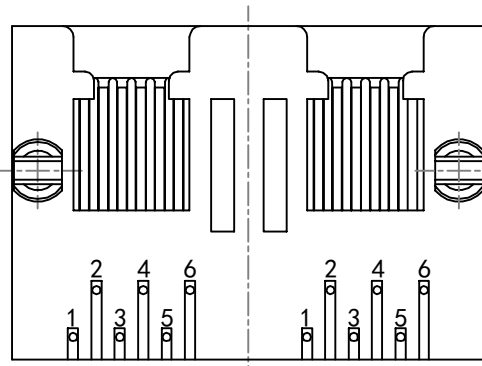
REACH & RoHS  
COMPLIANT



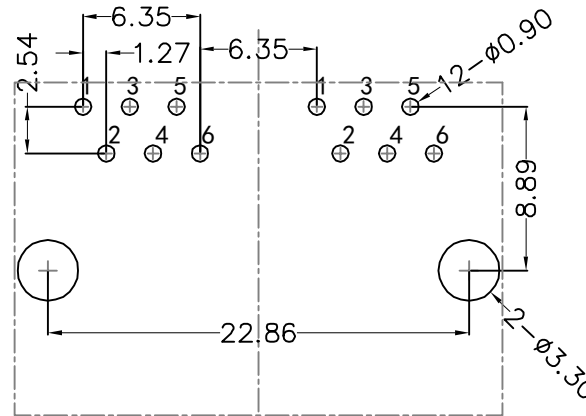
FRONT VIEW



SECTIONAL VIEW



BOTTOM VIEW



RECOMMENDED PCB LAYOUT  
VIEWED FROM COMPONENT SIDE

**MATERIAL:**

HOUSING: PBT,UL94V-0,BLACK.  
TERMINAL: PHOSPHOR BRONZE  $\phi=0.46\text{MM}$ , 6U" GOLD PLATING.

**MACHANICAL:**

DURABILITY: 750 CYCLES MIN,12.5MM/MINUTE.  
INSERTION FORCE: 2.2KG.F MAX.  
RETENTION STRENGTH : 7.7KG.F BETWEEN JACK AND PLUG.  
OPERATING TEMPERATURE:  $-40^{\circ}\text{C}\sim+85^{\circ}\text{C}$ .  
STORAGE TEMPERATURE:  $-40^{\circ}\text{C}\sim+85^{\circ}\text{C}$ .  
ALL CRITICAL DIMENSIONS WITH "\*\*"

**ELECTRICAL:**

VOLTAGE: 125 VOLTS AC.  
CURRENT RATING : 1.5AMP.  
DIELECTRIC STRENGTH: 1000 VAC RMS 50HZ OR 60HZ,1MIN.  
INSULATION RESISTANCE: 500 MEGA OHMS MIN. INITIAL  
AFTER 500V DC FOR 1 MINUTE.  
CONTACT RESISTANCE: SINGLE TERMINAL 30 MILLIOHMS MAX.  
INITIAL 50 MILLIOHMS MAX. AFTER  
DURABILITY TEST.



**沃虎** 苏州沃虎电子科技有限公司  
VOOHU Su Zhou Voohu Electronic Tech.Co.Ltd

TEL: +86 400 1048 018

WEB: [WWW.WOHU-TEK.COM](http://WWW.WOHU-TEK.COM)

TITLE:  
RJ11 5321 6P6C 1\*2

PART NO.:  
SYT53211266IWA1DY4112

REMARK:

SIZE  
A4

SACLE  
1:1

SHEET  
1/4



UNITS  
MM[INCH]

GENERAL TOLERANCES  
UNLESS SPECIFIED

$x\pm 0.35$   
 $.x\pm 0.30$   
 $.xx\pm 0.25$   
 $.xxx\pm 0.10$

APPROVED BY:  
Geoffrey.Song

CHECKED BY:  
Elvis.Song

DESIGND BY:  
Sunny.Xu