

S+C02

NOTE:

MATERIAL:

1. CONTACT: PHOSPHOR BRONZE.
2. CONNECTOR HOUSING: LCP UL 94V-0. COLOR: BLACK.
3. MOULDED INSERT: HIGH TEMPERATURE PLASTIC UL 94V-0. COLOR:BLACK.
4. CAGE: COPPER ALLOY.
5. LIGHT PIPES: POLYCARBONATE. UL 94V-0. COLOR:CLEAR
6. LIGHT PIPE HOUSING: PBT UL 94V-0 COLOR:BLACK.
7. EMI SPRING: COPPER ALLOY.

PLATED:

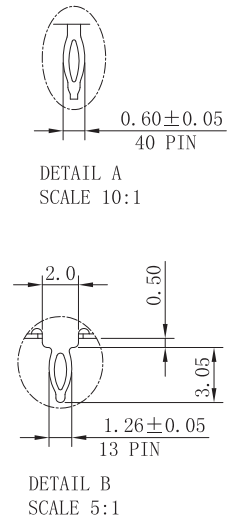
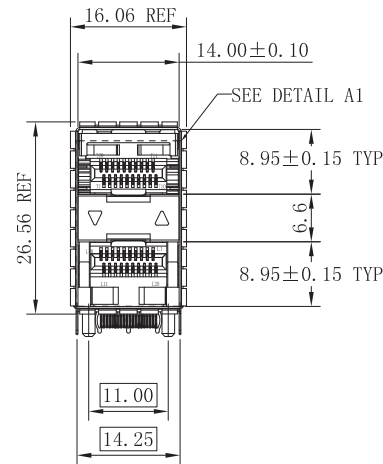
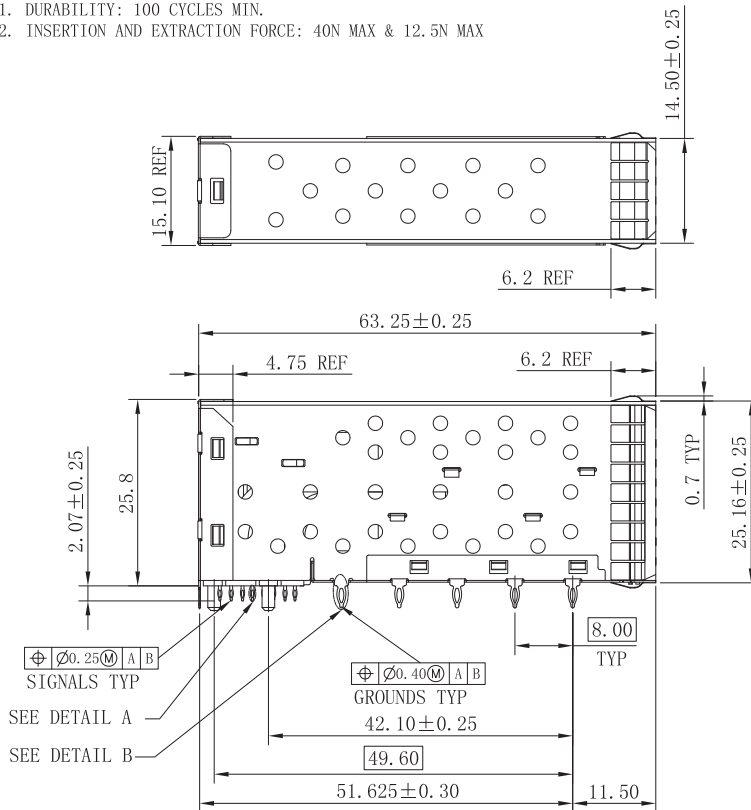
1. CONTACT MATING AREA : PLATING GOLD OVER 1.27 MICROMETERS MINIMUM NICKEL.
2. CONTACT NEEDLE EYE: 2.54 MICROMETERS MINIMUM MATTE TIN OVER 1.27 MICROMETERS MINIMUM NICKEL.

MECHANICAL REQUIREMENT:

1. DURABILITY: 100 CYCLES MIN.
2. INSERTION AND EXTRACTION FORCE: 40N MAX & 12.5N MAX

ENVIRONMENTAL:

1. LOW LEVEL CONTACT RESISTANCE(LLCR) :
ΔR 10 MILLIOHMS MAXIMUM FOR SHIELD AND SIGNAL CONTACTS.
2. DIELECTRIC WITHSTANDING VOLTAGE: 300V AC/MAX.
3. INSULATION RESISTANCE: 1x10⁹ OHMS MINIMUM.
4. RATINGS CURRENT: 0.5 AMPS MAX.
5. RATINGS VOLTAGE: 30 VOLTS DC/AC(RMS) MAX.
6. OPERATION: -40° C~+85° C.
7. STORAGE: -55° C~+105° C.
8. ROHS COMPLIANT



RoHS Compliant



TITLE: SFP+ 2x1 Press Fit Connector

SIZE A4

UNITS MM[INCH]

GENERAL TOLERANCES UNLESS SPECIFIED

APPROVED BY: Geoffrey. Song

PART NO.: WHSFP15221D009

SACLE 1:1

REV A0

x±0.35 x°±3.0°
.x±0.30 .x°±2.0°

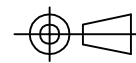
CHECKED BY: Elvis. Song

TEL: +86 400 1048 018

WEB: WWW.WOHU-TEK.COM

REMARK: Gold plated 15u"

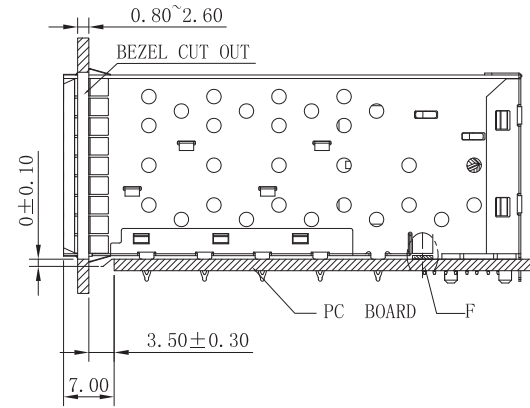
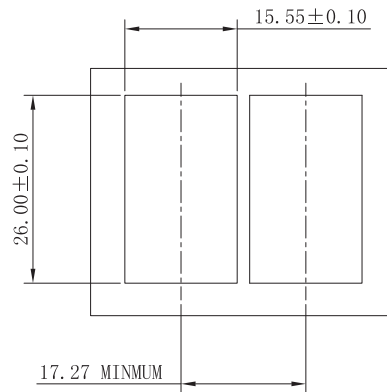
SHEET 1/4



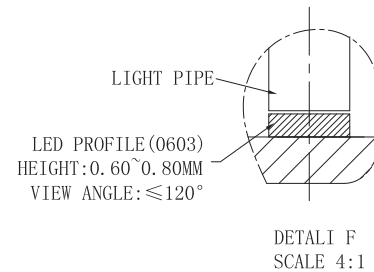
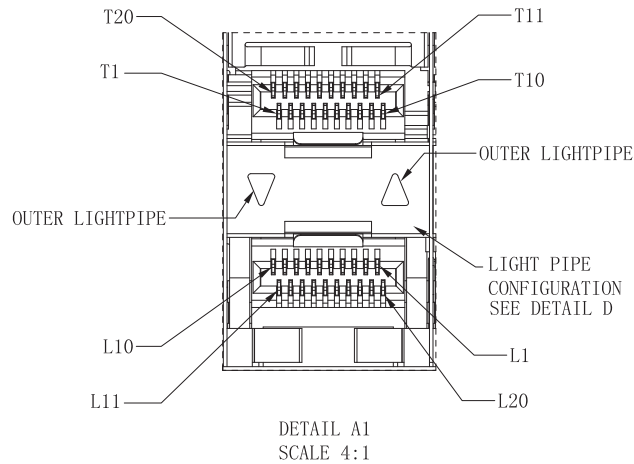
.xx±0.25 .xx°±1.5°
.xxx±0.10 .xxx°±1.0°

DESIGND BY: Sunny. Xu

S+C02



BEZEL CUT-OUT CENTER SPACING DETAIL
BEZEL THICKNESS: 0.8~2.6



RoHS Compliant

沃虎 苏州沃虎电子科技有限公司
VOOHU Su Zhou Voohu Electronic Tech.Co.Ltd

TITLE: SFP+ 2x1 Press Fit Connector

SIZE
A4

UNITS
MM[INCH]

GENERAL TOLERANCES
UNLESS SPECIFIED

APPROVED BY:
Geoffrey. Song

PART NO.:
WHSFP15221D009

SACLE
1:1

REV
A0

$x \pm 0.35$ $x^\circ \pm 3.0^\circ$
 $.x \pm 0.30$ $.x^\circ \pm 2.0^\circ$

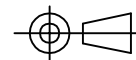
CHECKED BY:
Elvis. Song

TEL: +86 400 1048 018

WEB: WWW.WOHU-TEK.COM

REMARK:
Gold plated 15u"

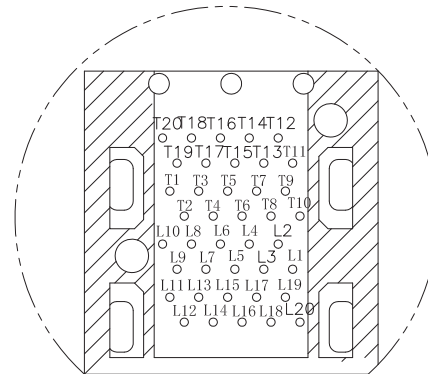
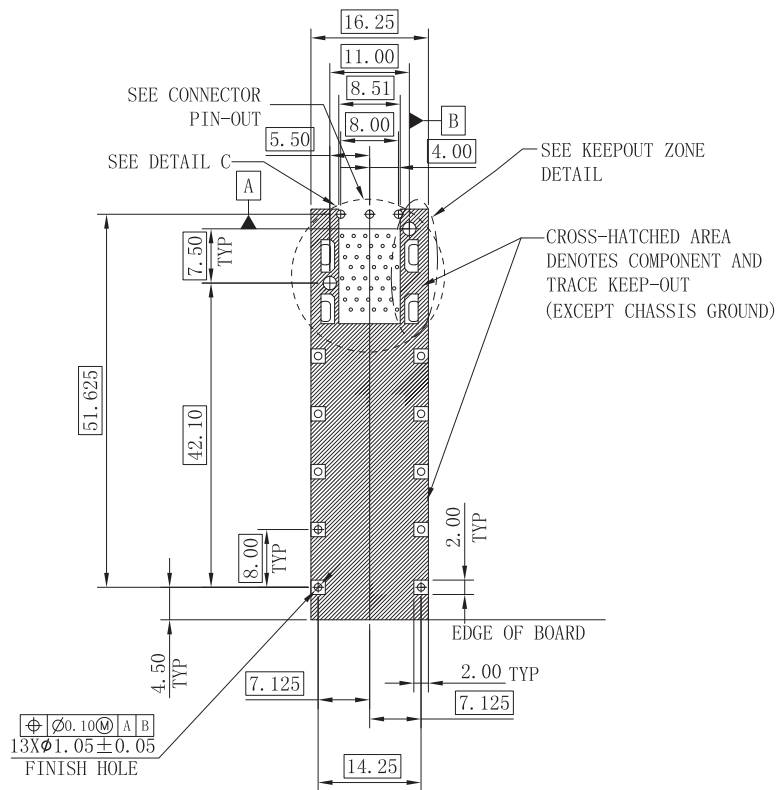
SHEET
1/4



$.xx \pm 0.25$ $.xx^\circ \pm 1.5^\circ$
 $.xxx \pm 0.10$ $.xxx^\circ \pm 1.0^\circ$

DESIGND BY:
Sunny. Xu

S+C02



CONNECTOR PIN-OUT
COMPONENT SIDE OF BOARD

RECOMMENDED PCB LAYOUT-COMPONENT SIDE
RECOMMENDED PCB THICKNESS-2.63MM

THE ENTIRE AREA OF THE CONNECTOR FOOTPRINT
TO BE CONSIDERED THE KEEP OUT AREA FOR COMPONENTS
(OTHER THAN LIGHT PIPE LED'S)
THIS AREA IS INDICATED BY THE DASHED LINE

RoHS Compliant

沃虎 苏州沃虎电子科技有限公司
VOOHU Su Zhou Voohu Electronic Tech.Co.Ltd

TITLE: SFP+ 2x1 Press Fit Connector

SIZE
A4
UNITS
MM[INCH]

GENERAL TOLERANCES
UNLESS SPECIFIED

APPROVED BY:
Geoffrey. Song

PART NO.:
WHSFP15221D009

SACLE
1:1

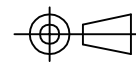
REV
A0

x±0.35	x°±3.0°
.x±0.30	.x°±2.0°

CHECKED BY:
Elvis. Song

REMARK:
Gold plated 15u"

SHEET
1/4



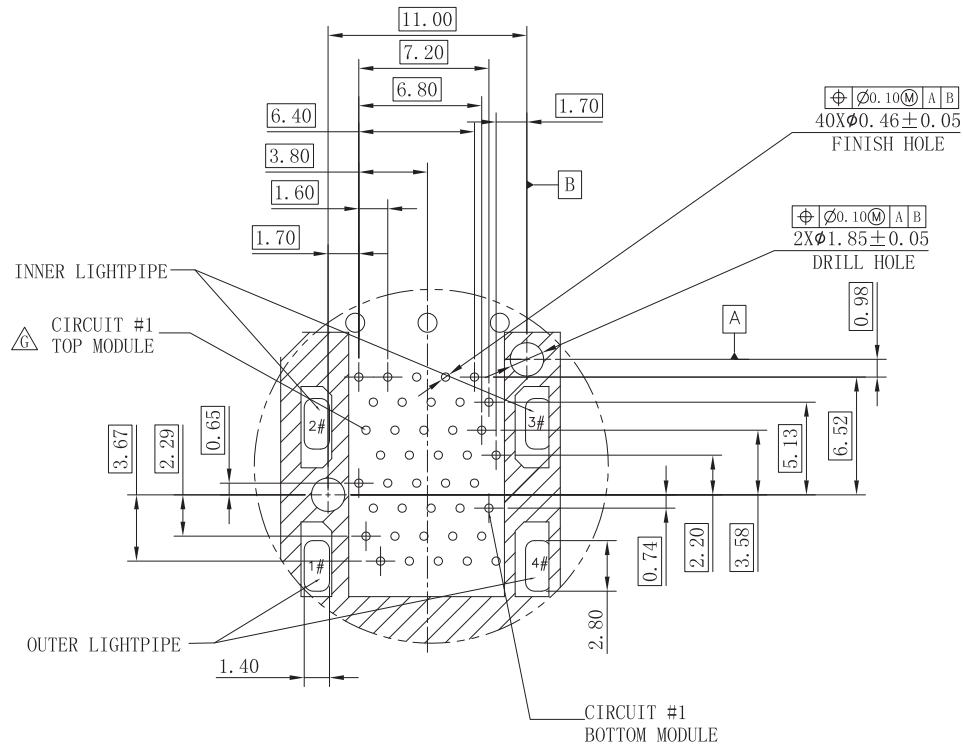
.xx±0.25	.xx°±1.5°
.xxx±0.10	.xxx°±1.0°

DESIGND BY:
Sunny. Xu

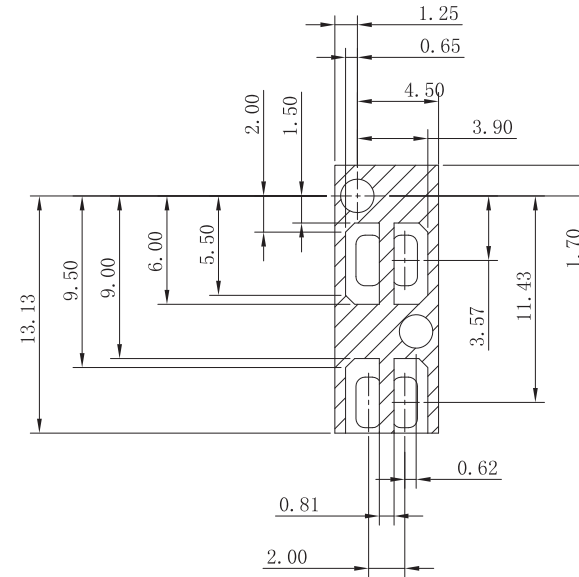
TEL: +86 400 1048 018

WEB: WWW.WOHU-TEK.COM

S+C02



DETAIL C
SCALE 5:1



KEEP-OUT ZONE
DETAIL SCALE 5:1

RoHS Compliant



TITLE: SFP+ 2x1 Press Fit Connector

SIZE
A4

UNITS
MM[INCH]

GENERAL TOLERANCES
UNLESS SPECIFIED

APPROVED BY:
Geoffrey. Song

PART NO.:
WHSFP15221D009

SACLE
1:1

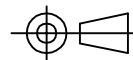
REV
A0

x±0.35	x°±3.0°
.x±0.30	.x°±2.0°

CHECKED BY:
Elvis. Song

REMARK:
Gold plated 15u"

SHEET
1/4



.xx±0.25	.xx°±1.5°
.xxx±0.10	.xxx°±1.0°

DESIGND BY:
Sunny. Xu

TEL: +86 400 1048 018

WEB: WWW.WOHU-TEK.COM