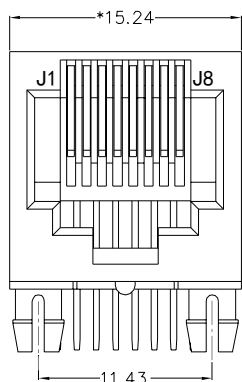
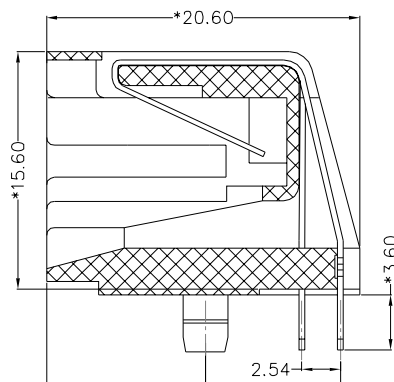


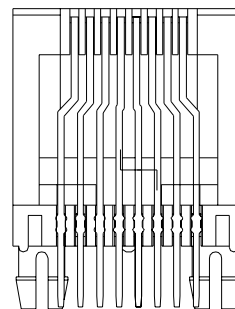
REACH & RoHS  
COMPLIANT



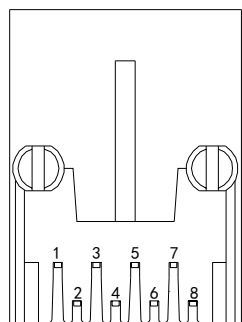
FRONT VIEW



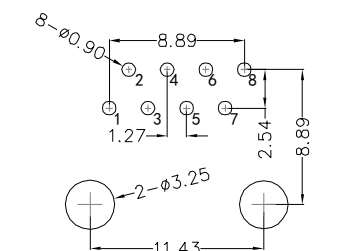
CUTAWAY VIEW



BACK VIEW



BOTTOM VIEW



RECOMMENDED PCB LAYOUT  
VIEWED FROM COMPONENT SIDE

**MATERIAL:**

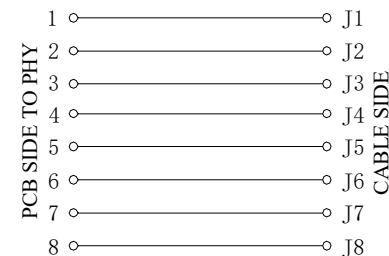
HOUSING: PBT,UL94V-0,BLACK.  
TERMINAL: PHOSPHOR BRONZE T=0.35MM,  
0.6U" GOLD PLATING ON CONTACT AREA.

**MACHANICAL:**

DURABILITY: 750 CYCLES MIN,12.5MM/MINUTE.  
INSERTION FORCE: 2.2KG.F MAX.  
RETENTION STRENGTH : 7.7KG.F BETWEEN JACK AND PLUG.  
OPERATING TEMPERATURE: -40°C~+85°C.  
STORAGE TEMPERATURE: -40°C~+85°C.  
ALL CRITICAL DIMENSIONS WITH "\*"

**ELECTRICAL:**

VOLTAGE: 125 VOLTS AC.  
CURRENT RATING : 1.5AMP.  
DIELECTRIC STRENGTH: 1000 VAC RMS 50HZ OR 60HZ,1MIN.  
INSULATION RESISTANCE: 500 MEGA OHMS MIN. INITIAL  
AFTER 500V DC FOR 1 MINUTE.  
CONTACT RESISTANCE: SINGLE TERMINAL 30 MILLIOHMS MAX.  
INITIAL 50 MILLIOHMS MAX. AFTER  
DURABILITY TEST.



**沃虎** 苏州沃虎电子科技有限公司  
VOOHU Su Zhou Voohu Electronic Tech.Co.Ltd

TEL: +86 400 1048 018

WEB: [WWW.WOHU-TEK.COM](http://WWW.WOHU-TEK.COM)

TITLE:  
RJ45 1\*1 8P8C  
PART NO.:  
SYT57211188IWA1DB1006

REMARK:

SIZE  
A4  
UNITS  
MM[INCH]  
SACLE  
1:1  
REV  
A0  
SHEET  
1/4



GENERAL TOLERANCES  
UNLESS SPECIFIED  
x±0.35  
.x±0.30  
.xx±0.25  
.xxx±0.10  
x°±3.0°  
.x°±2.0°  
.xx°±1.5°  
.xxx°±1.0°

APPROVED BY:  
Geoffrey.Song  
CHECKED BY:  
Elvis.Song  
DESIGND BY:  
Sunny.Xu