

# APPROVED SHEET

CUSTOMER: \_\_\_\_\_

CUSTOMER P/N: \_\_\_\_\_

JWD P/N: \_\_\_\_\_

SQ24002 G

REV: \_\_\_\_\_

R0

DESCRIPTION: \_\_\_\_\_

2.5/5G BASE-T

CUSTOMER APPROVAL		COMPANY APPROVAL	
INSPECTED BY:		ISSUED BY:	Sea
CHECKED BY:		CHECKED BY:	
APPROVED BY:		APPROVED BY:	
APPROVED DATE:		ISSUED DATE:	2018-12-11

Please Return One Copy to Us After Approved,TKS! (承认后请回寄一份,谢谢)



四川经纬达科技集团有限公司

Sichuan Jingweida Technology Group Co., Ltd

地址: 四川省绵阳市高新区永兴镇永兴工业园

ADD: YongXing Industrial of High-tech Zone In Mianyang City, Sichuan  
Province

TEL: +86-816-2561202 FAX: +86-816-2562518

E-MAIL: myjwd@myjwd.com

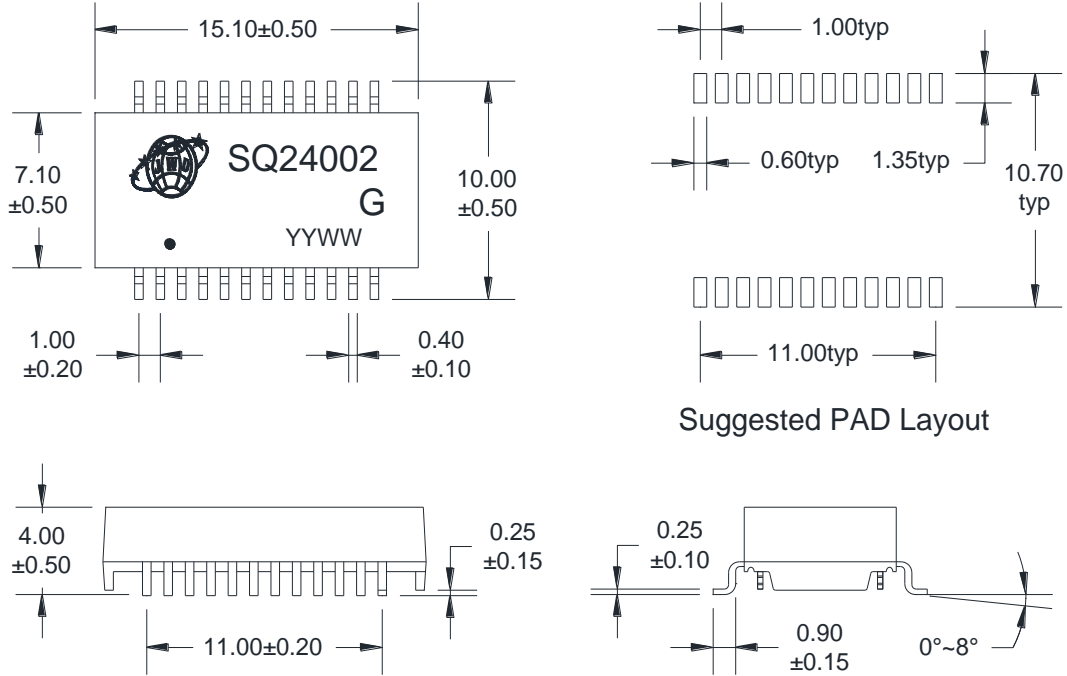
WEB: www.myjwd.com



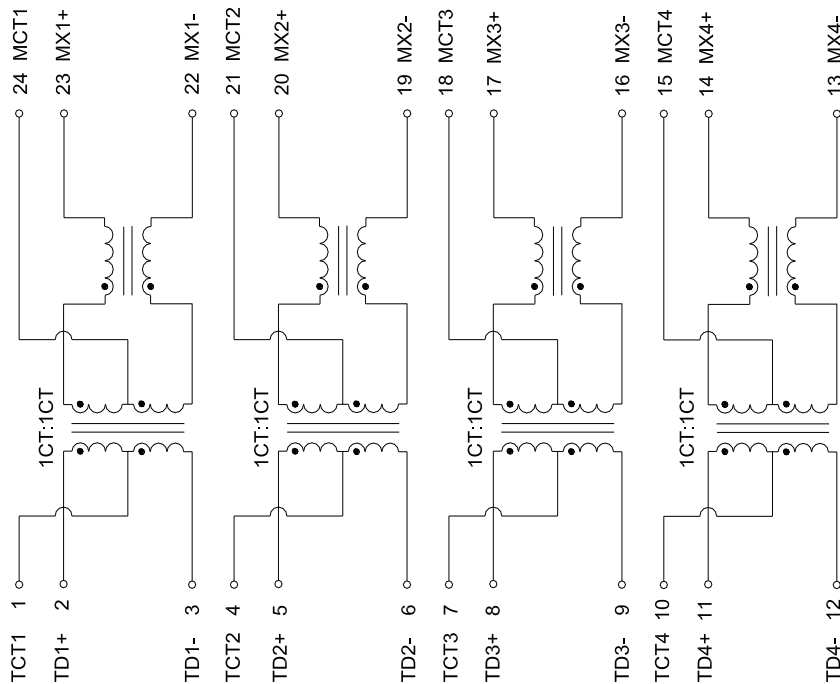
# 四川经纬达科技集团有限公司

Sichuan Jingweida Technology Group Co., Ltd

## A. MECHANICAL(unit:mm)



## B. SCHEMATICS



DESCRIPTION	JWD P/N	SPEC NO	REV: R0
2.5/5G BASE-T	SQ24002 G		PAGE: 1/3



# 四川经纬达科技集团有限公司

Sichuan Jingweida Technology Group Co., Ltd

## C. ELECTRICAL SPECIFICATIONS @25°C

1. OCL: 200uH Min @ 100KHz 0.1V
2. Leakage Inductance: 0.5uH Max @ 100KHz, 0.1V
3. DCR: 1000mΩ Max
4. Turns Ratio: 1CT:1CT±5%
5. Insertion Loss: -1.0 dB Max @ 1-100 MHz  
-2.0 dB Max @ 100-250 MHz
6. Return Loss: -16 dB Min @  $1 \leq f \leq 40$  MHz  
-16+10log(f/40) dB Min @  $40 < f \leq 250$  MHz, where f is in MHz
7. Cross Talk: -30 dB Typ @ 1-250 MHz
8. Common Mode Rejection Ratio: -30 dB Typ @ 1-250 MHz
9. Isolation Hipot: 1500VAC 1mA 60S
10. Operating temperature 0°C to +70°C
11. Storage temperature -25°C to +125°C

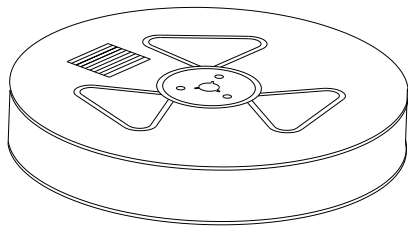
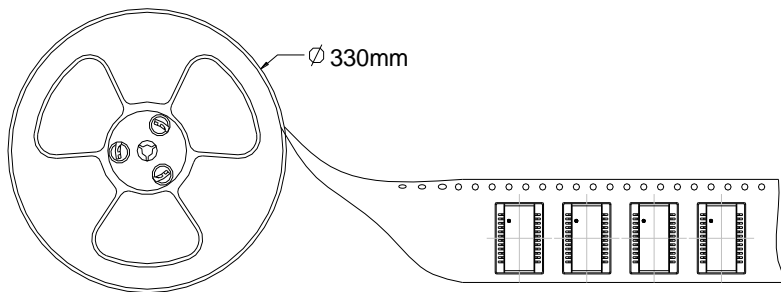
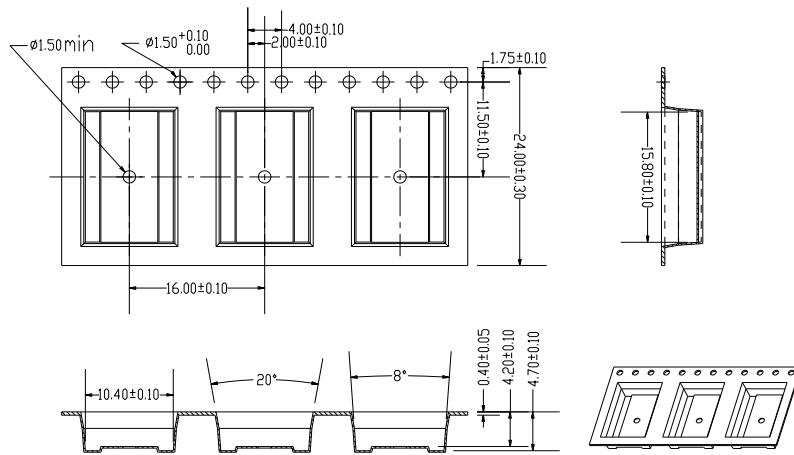
DESCRIPTION	JWD P/N	SPEC NO	REV: R0
2.5/5G BASE-T	SQ24002 G		PAGE: 2/3



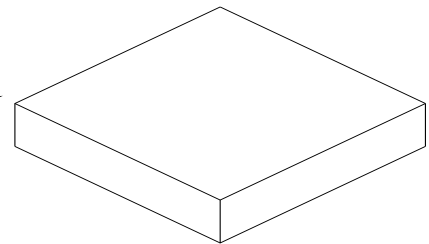
# 四川经纬达科技集团有限公司

Sichuan Jingweida Technology Group Co., Ltd

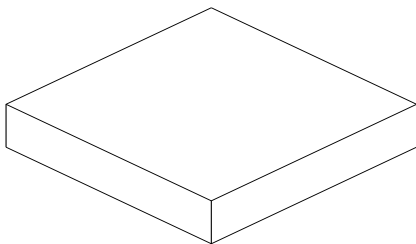
## D. PACKAGE INFORMATION



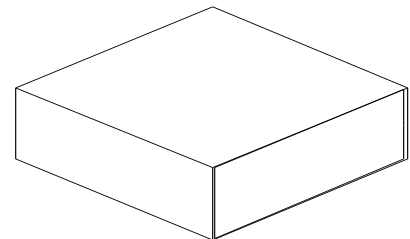
Three Reel



Inner Carton



Two Inner Carton



Export Carton

Package Quantity:

One Reel=800Pcs

One Inner Carton=800\*3=2400Pcs

One Export Carton=2400\*2=4800Pcs

DESCRIPTION	JWD P/N	SPEC NO	REV: R0
2.5/5G BASE-T	SQ24002 G		PAGE: 3/3