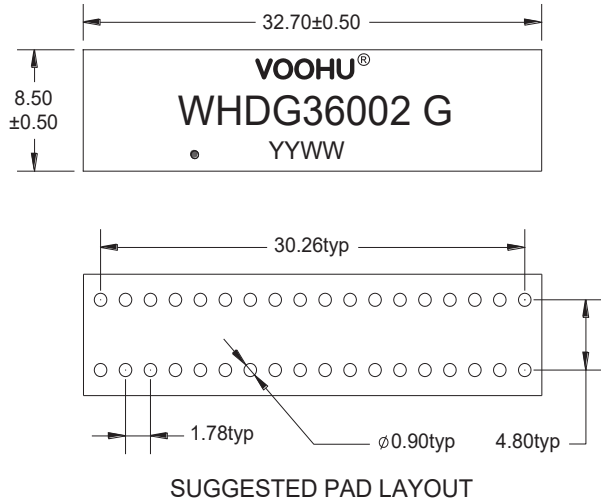
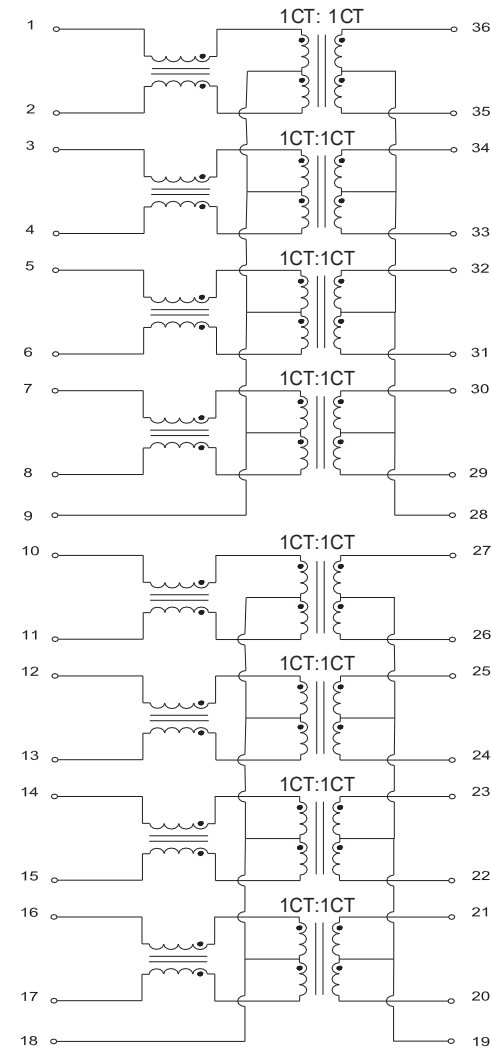


A. MECHANICAL(unit:mm)



B. SCHEMATICS



VOOHU 苏州沃虎电子科技有限公司
Su Zhou Voohu Electronic Tech.Co.Ltd

TITLE:
100/1000 BASE-T

SIZE
A4

UNITS
MM[INCH]

GENERAL TOLERANCES
UNLESS SPECIFIED

APPROVED BY:
Geoffrey.Song

PART NO.:
WHDG36002 G

SACLE
1:1

REV
A0

$x \pm 0.35$
 $.x \pm 0.30$
 $.xx \pm 0.25$
 $.xxx \pm 0.10$

$x^\circ \pm 3.0^\circ$
 $.x^\circ \pm 2.0^\circ$
 $.xx^\circ \pm 1.5^\circ$
 $.xxx^\circ \pm 1.0^\circ$

CHECKED BY:
Elvis.Song
DESIGND BY:
Sunny.Xu

TEL: +86 400 1048 018

WEB: WWW.WOHU-TEK.COM

REMARK:

SHEET
1/2



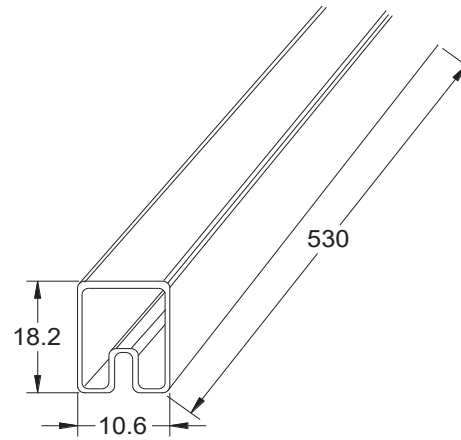
H
G
F
E
D
C
B
A

H
G
F
E
D
C
B
A

C. ELECTRICAL SPECIFICATIONS @25°C

1. OCL: 350 uH Min @ 100 KHz, 0.1V with 8mA DC BIAS
2. Leakage Inductance: 0.5uH Max @ 100KHz, 0.1V
3. DCR: 1400mΩ Max
4. Turns Ratio: 1CT:1CT±5%
5. Insertion Loss: -1.1 dB Max @ 1-100 MHz
6. Return Loss: -18 dB Min @ 1-30 MHz
 - 14.4 dB Min @ 40 MHz
 - 13.1 dB Min @ 50 MHz
 - 12 dB Min @ 60-80 MHz
 - 10 dB Min @ 100 MHz
7. Cross Talk: -30 dB Min @ 1-100 MHz
8. Common Mode Rejection: -30 dB Min @ 1-100 MHz
9. Isolation Hipot: 1500VAC 1mA 60S
10. Operating temperature 0°C to +70°C
11. Storage temperature -40°C to +85°C

D. PACKAGE INFORMATION



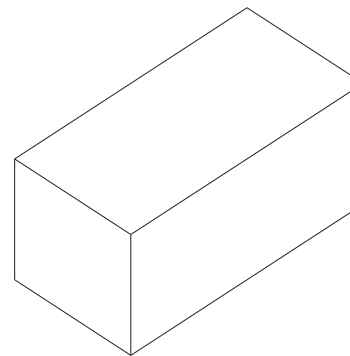
Tube: 530*10.6*18.2mm

Package Quantity:

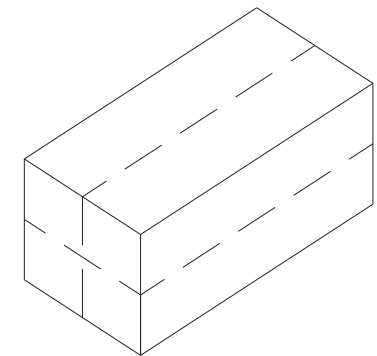
One Tube=15Pcs

One Inner Carton=15*70=1050Pcs


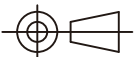
One Export Carton=1050*4=4200Pcs



Inner Carton: L555*W165*H100mm



Export Carton: L570*W370*H240mm

 苏州沃虎电子科技有限公司 Su Zhou Voohu Electronic Tech.Co.Ltd	TITLE:	SIZE	UNITS	GENERAL TOLERANCES		APPROVED BY:
	100/1000 BASE-T	A4	MM[INCH]	UNLESS SPECIFIED		Geoffrey.Song
	PART NO.:	SACLE	REV	x±0.35	x°±3.0°	CHECKED BY:
WHDG36002 G	1:1	A0	.x±0.30	.x°±2.0°	Elvis.Song	
TEL: +86 400 1048 018	REMARK:	SHEET		.xx±0.25	.xx°±1.5°	DESIGND BY:
WEB: WWW.WOHU-TEK.COM		2/2		.xxx±0.10	.xxx°±1.0°	Sunny.Xu