

APPROVED SHEET

CUSTOMER: _____

CUSTOMER P/N: _____

JWD P/N: LC-3216A-600M

REV: R2

DESCRIPTION: Chip LAN Choke

CUSTOMER APPROVAL		COMPANY APPROVAL	
INSPECTED BY:		ISSUED BY:	Sea
CHECKED BY:		CHECKED BY:	
APPROVED BY:		APPROVED BY:	
APPROVED DATE:		ISSUED DATE:	2020/12/8

Please Return One Copy to Us After Approved,TKS! (承认后请回寄一份,谢谢)



四川经纬达科技集团有限公司

Sichuan Jingweida Technology Group Co., Ltd

地址: 绵阳高新区防震减灾产业园

ADD: Protecting Against and Mitigating Earthquake Disasters Industrial Park,
High-tech Zone, Mianyang, Sichuan 621000 CHINA.

TEL: +86-816-2561202 FAX: +86-816-2562518

E-MAIL: myjwd@myjwd.com

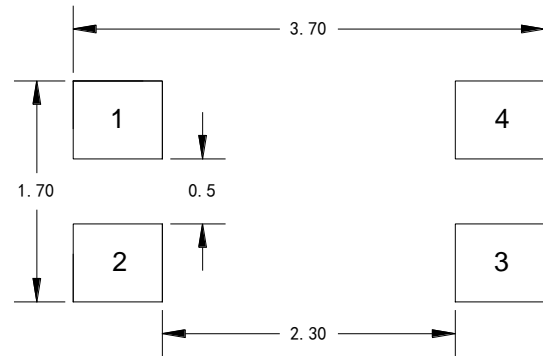
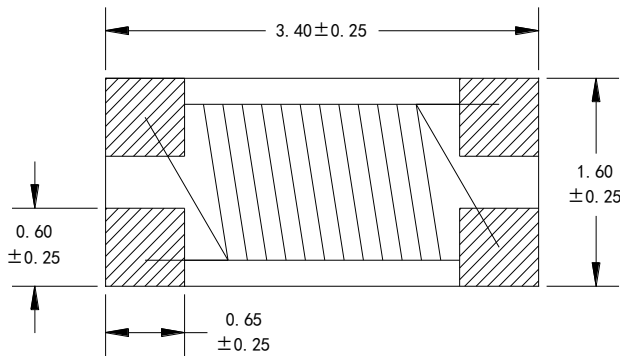
WEB: www.myjwd.com



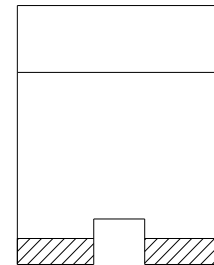
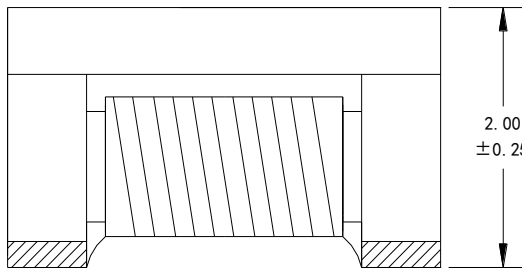
四川经纬达科技集团有限公司

Sichuan Jingweida Technology Group Co., Ltd

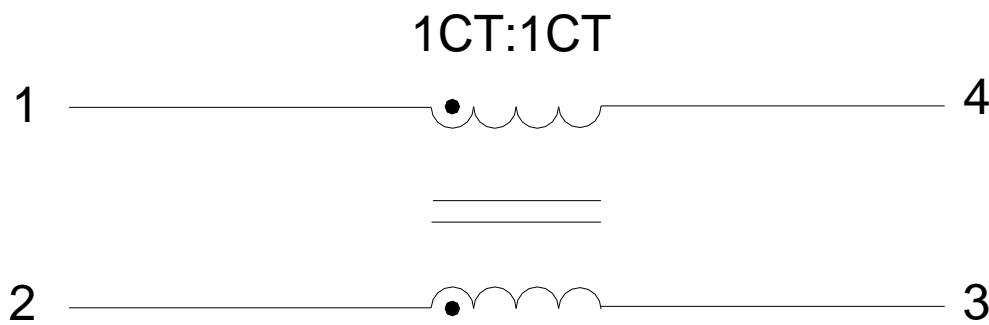
A. MECHANICAL(unit:mm)



SUGGESTED LAND PATTERN



B. SCHEMATICS



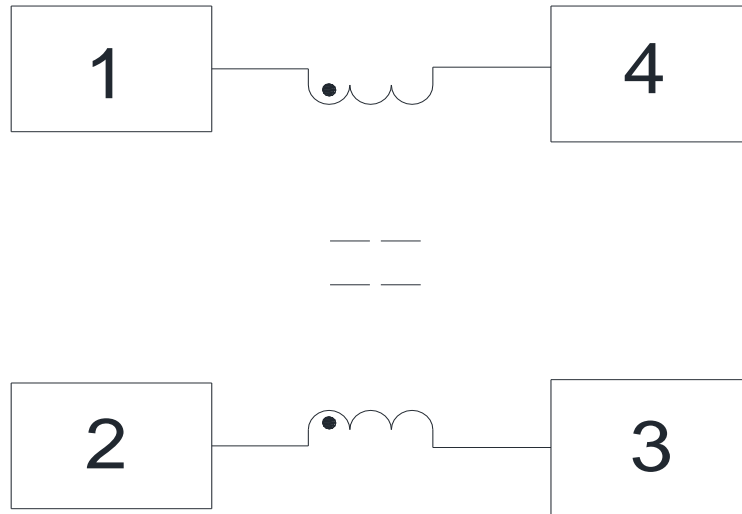
DESCRIPTION	JWD P/N	SPEC NO.	REV: R2
Chip LAN Choke	LC-3216A-600M		PAGE: 1/3



四川经纬达科技集团有限公司

Sichuan Jingweida Technology Group Co., Ltd

C. APPLICATION



D. ELECTRICAL SPECIFICATIONS @25°C

1. Lx: 60uH Min @ 100 KHz, 0.1V
2. Turns Ratio: 1CT:1CT±5%
3. DCR: 1.70Ω Max
4. Rated Current: 200mA Max
5. Rated Voltage: 50V DC
6. Withstanding Voltage: 125V DC
7. Insulation Resistance: 10MΩ Min
8. Operating temperature: -40°C to +85°C

DESCRIPTION	JWD P/N	SPEC NO.	REV: R2
Chip LAN Choke	LC-3216A-600M		PAGE: 2/3

