

NOTES:

- 1. MATERIAL:
- HOUSING: LCP UL94V-0, BLACK
- INSERT MOLDING: LCP UL94V-0, BLACK
- CONTACT: COPPER ALLOY

VOOHU 苏州沃虎电子科技有限公司
Su Zhou Voohu Electronic Tech.Co.Ltd

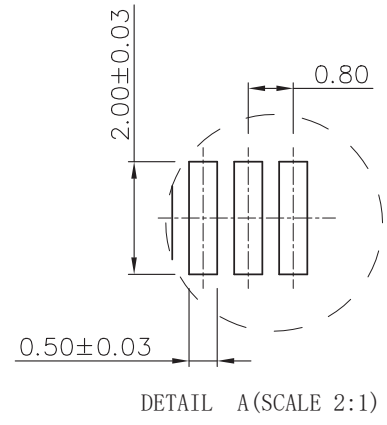
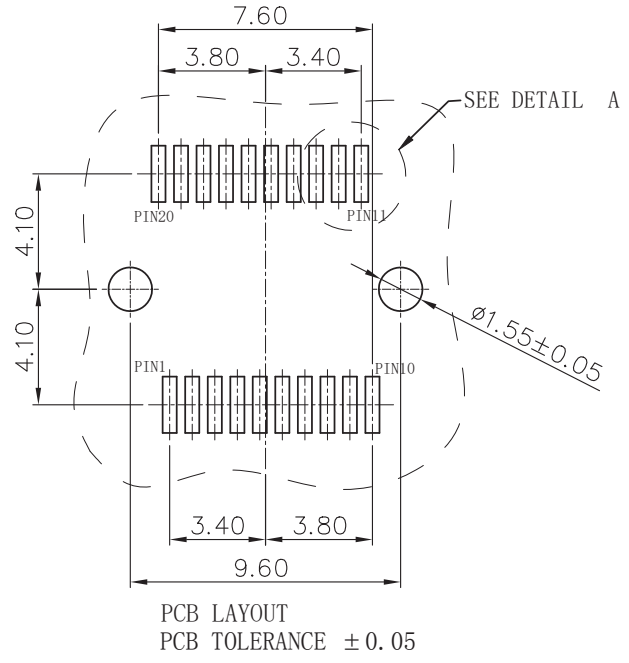
TITLE: SFP28 CONN 30U"
SIZE A4 UNITS MM[INCH] GENERAL TOLERANCES UNLESS SPECIFIED APPROVED BY: Geoffrey.Song

PART NO.: WH81-151-Y0003-1 SACLE 1:1 REV A0 .x±0.35 x°±3.0° CHECKED BY: Elvis.Song

TEL: +86 400 1048 018 WEB: WWW.WOHU-TEK.COM

REMARK: SHEET 1/2 .xx±0.25 .xx°±1.5° DESIGN BY: Sunny.Xu
.xxx±0.10 .xxx°±1.0°





VOOHU 苏州沃虎电子科技有限公司
Su Zhou Voohu Electronic Tech.Co.Ltd

TITLE: SFP28 CONN 30U"	SIZE A4	UNITS MM[INCH]	GENERAL TOLERANCES UNLESS SPECIFIED		APPROVED BY: Geoffrey.Song
			x±0.35	x°±3.0°	
PART NO.: WH81-151-Y0003-1	SCALE 1:1	REV A0	.x±0.30	.x°±2.0°	CHECKED BY: Elvis.Song
			.xx±0.25	.xx°±1.5°	
REMARK:	SHEET 1/2		.xxx±0.10	.xxx°±1.0°	DESIGND BY: Sunny.Xu

TEL: +86 400 1048 018

WEB: WWW.WOHU-TEK.COM