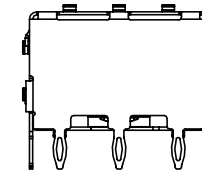
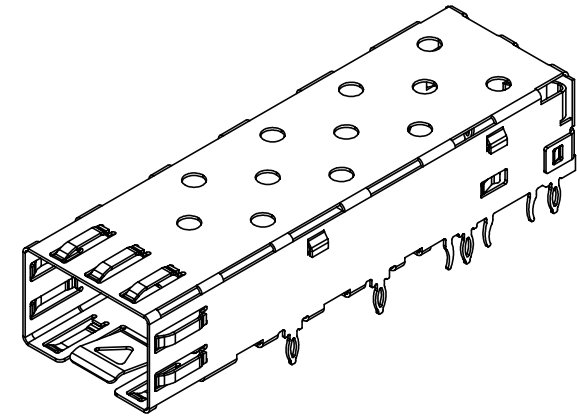
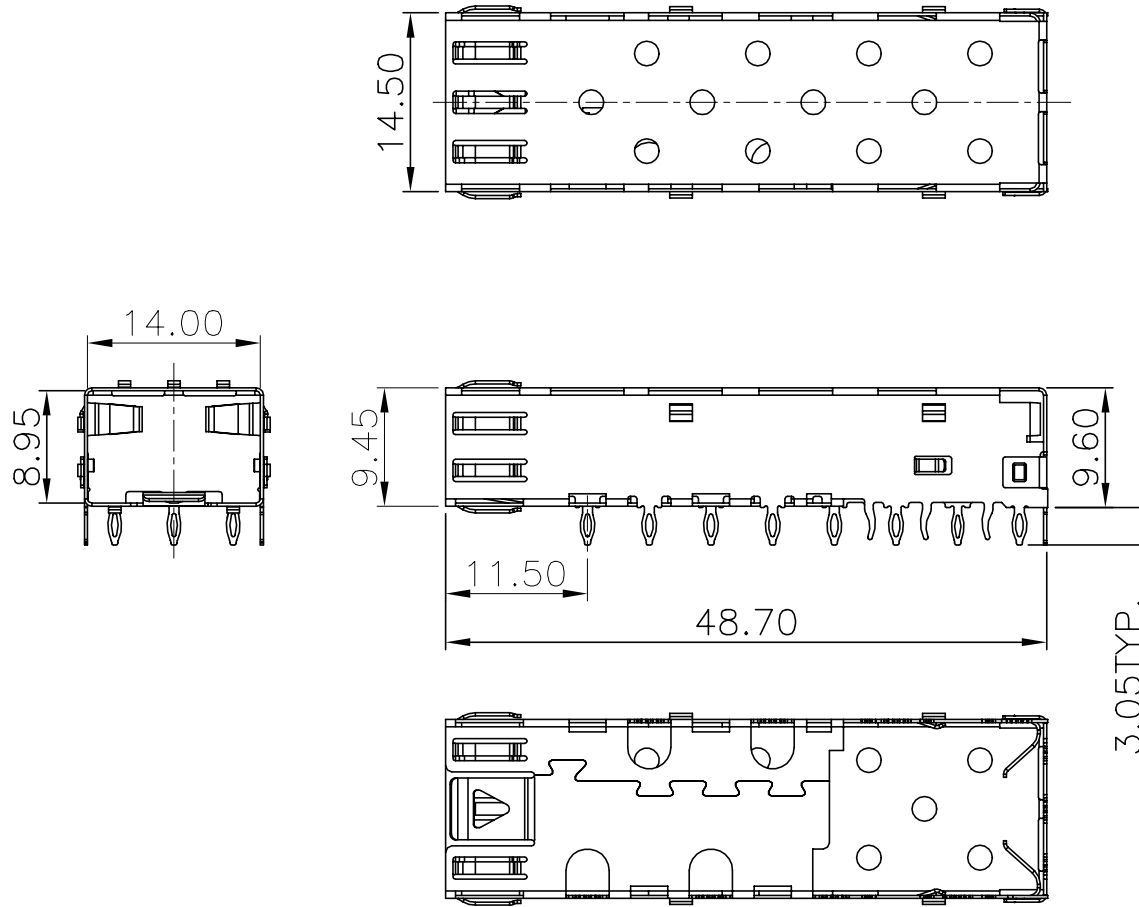


Customer drawings



NOTES:
 1.MATERIAL:
 COPPER ALLOY THICKNESS: 0.25mm

VOOHU 苏州沃虎电子科技有限公司
 Su Zhou Voohu Electronic Tech.Co.Ltd

TITLE:
 SFP 1X1 SHELL-2K(压接式)

SIZE
 A4
 UNITS
 MM[INCH]

GENERAL TOLERANCES
 UNLESS SPECIFIED

APPROVED BY:
 Geoffrey.Song

PART NO.:
 WH81-111-Y0002

SACLE
 1:1

REV
 A0

$x \pm 0.35$
 $.x \pm 0.30$

CHECKED BY:
 Elvis.Song

TEL: +86 400 1048 018

WEB: WWW.WOHU-TEK.COM

-1 REMARK:

SHEET
 1/2

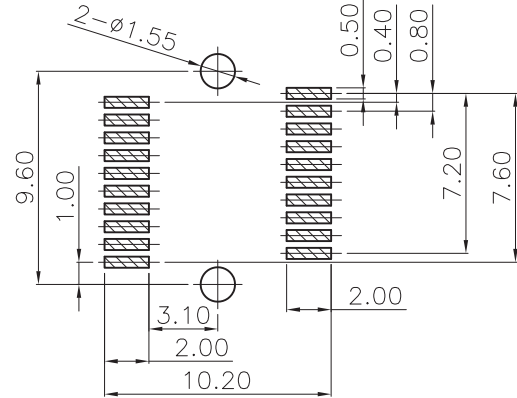
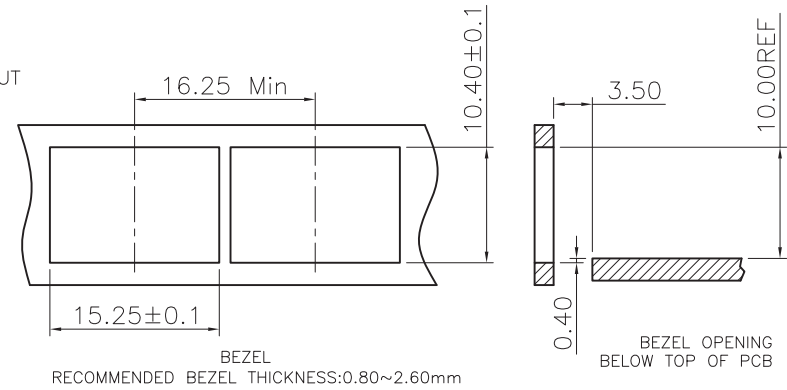
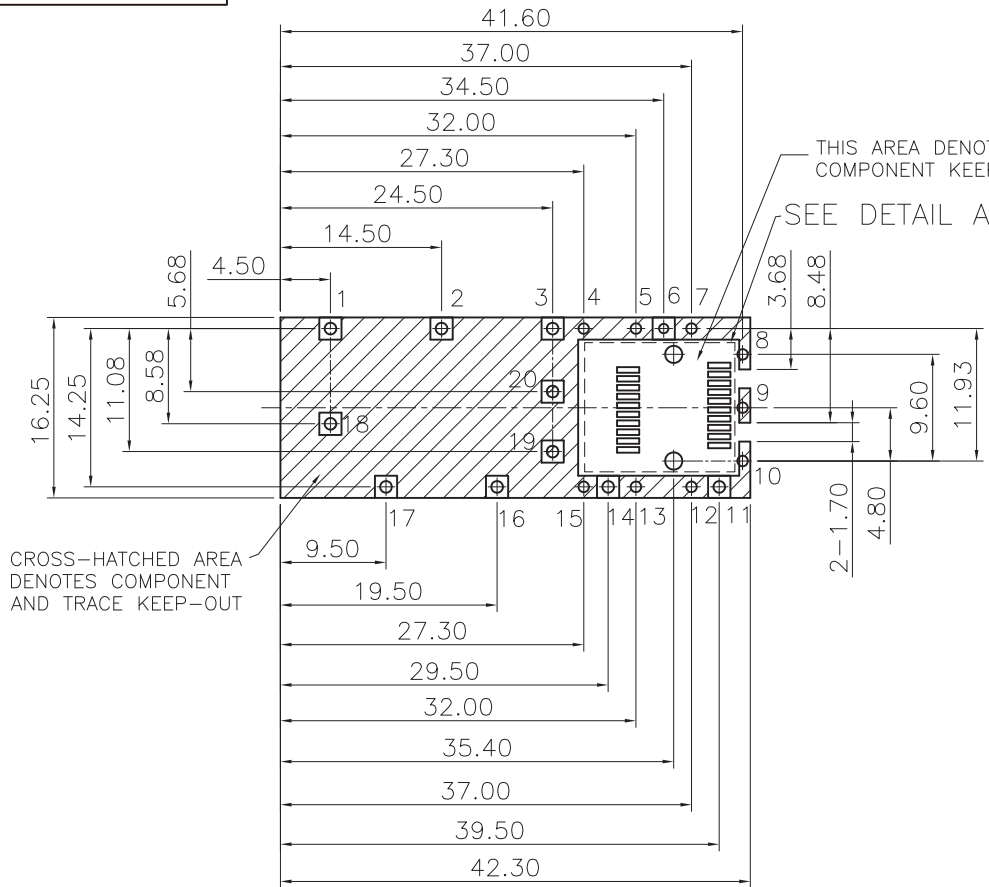


$.xx \pm 0.25$
 $.xxx \pm 0.10$

$.x^\circ \pm 3.0^\circ$
 $.x^\circ \pm 2.0^\circ$
 $.xx^\circ \pm 1.5^\circ$
 $.xxx^\circ \pm 1.0^\circ$

DESIGND BY:
 Sunny.Xu

Customer drawings



- 1. RECOMMENDED PCB THICKNESS:2.36 (MINIMUM PCB THICKNESS:1.57) (ALL TOLERANCES ARE ±0.05)
- 1,2,3,11,14,16,17,18,19,20#孔直径为1.05mm;
- 4,5,7,8,9,10,12,13,15#孔直径为0.95mm;
- 6#孔直径为0.85mm;



TITLE: SFP 1X1 SHELL-2K(压接式)

SIZE A4

UNITS MM[INCH]

GENERAL TOLERANCES UNLESS SPECIFIED

APPROVED BY: Geoffrey.Song

PART NO.: WH81-111-Y0002-1

SACLE 1:1

REV A0

x±0.35 x°±3.0°
.x±0.30 .x°±2.0°

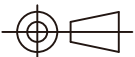
CHECKED BY: Elvis.Song

TEL: +86 400 1048 018

WEB: WWW.WOHU-TEK.COM

REMARK:

SHEET 2/2



.xx±0.25 .xx°±1.5°
.xxx±0.10 .xxx°±1.0°

DESIGND BY: Sunny.Xu