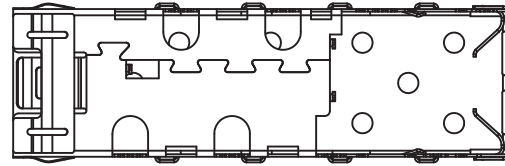
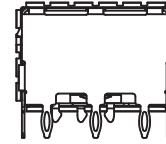
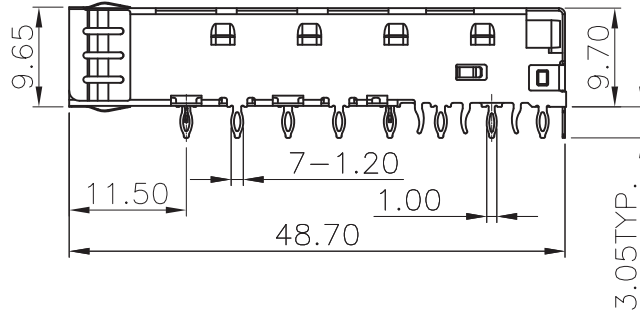
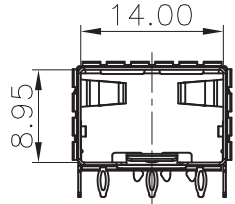
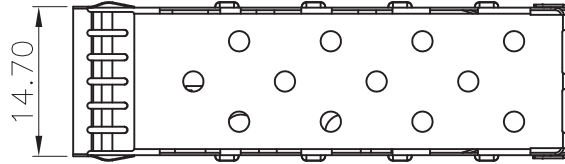
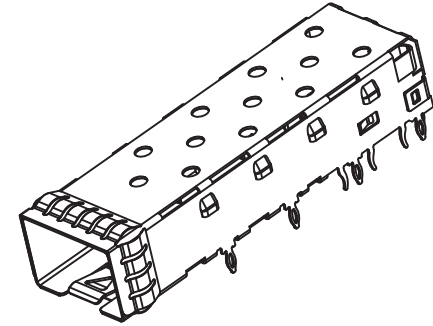


Customer drawings

NOTE:

1, DESCRIPTION	Q'ty	MATERIAL	PLATING
SFP 1X1 CAGE	1PCS	COPPER ALLOY T=0.25	SEE TABLE
2, TEMPERATURE:			
OPERATION: -40°C~+85°C			
STORAGE: -55°C~+105°C			



VOOHU 苏州沃虎电子科技有限公司
Su Zhou Voohu Electronic Tech.Co.Ltd

TITLE:
SFP+ 1x1 CAGE

SIZE
A4
UNITS
MM[INCH]

GENERAL TOLERANCES
UNLESS SPECIFIED

APPROVED BY:
Geoffrey.Song

PART NO.:
WH81-111-Y0012-1

SACLE
1:1
REV
A0

$x \pm 0.35$	$x^\circ \pm 3.0^\circ$
$.x \pm 0.30$	$.x^\circ \pm 2.0^\circ$

CHECKED BY:
Elvis.Song

TEL: +86 400 1048 018

WEB: WWW.WOHU-TEK.COM

REMARK:

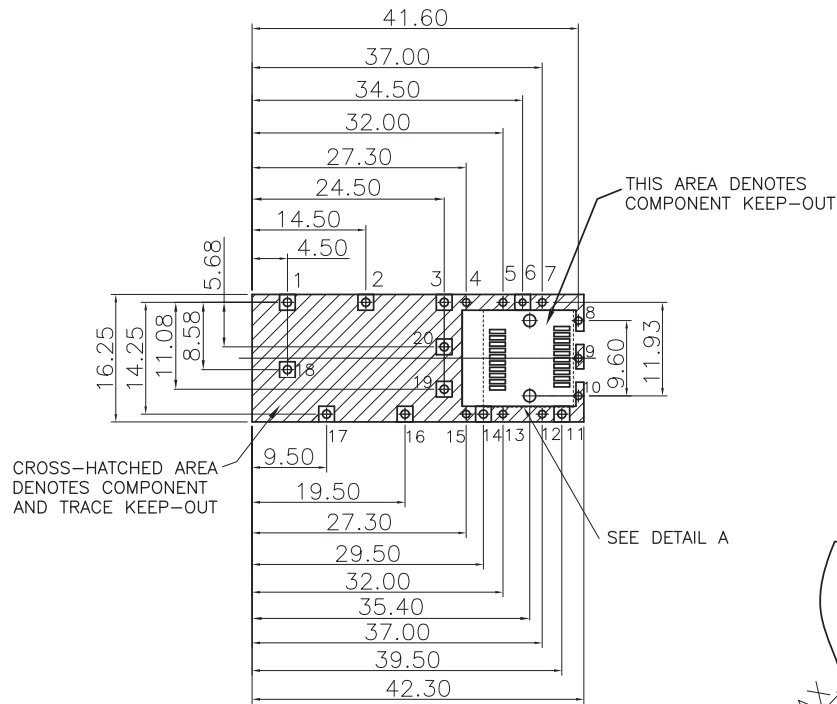
SHEET
1/2



$.xx \pm 0.25$	$.xx^\circ \pm 1.5^\circ$
$.xxx \pm 0.10$	$.xxx^\circ \pm 1.0^\circ$

DESIGND BY:
Sunny.Xu

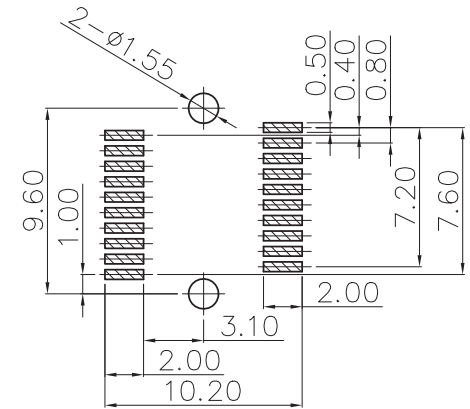
Customer drawings



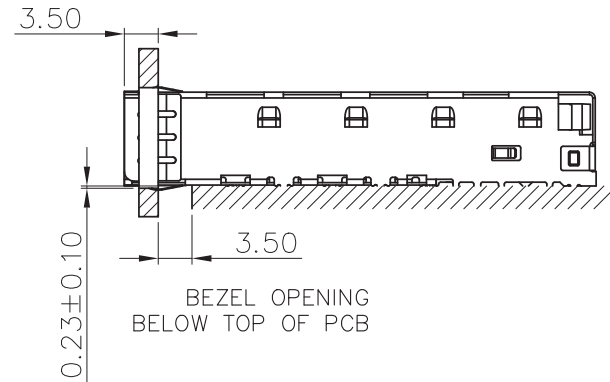
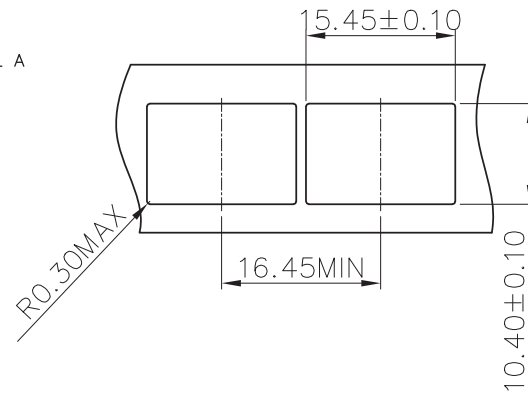
CROSS-HATCHED AREA DENOTES COMPONENT AND TRACE KEEP-OUT

THIS AREA DENOTES COMPONENT KEEP-OUT

SEE DETAIL A



DETAIL A(SCALE 2:1)



1. RECOMMENDED PCB THICKNESS: 2.36 (TOP VIEW)
(MINIMUM PCB THICKNESS: 1.57)
(ALL TOLERANCES ARE ±0.05)

RECOMMENDED PANEL CUTOUT AND PCB BOARD
PANEL POSITION AND THICKNESS 0.8-2.6

NOTE:

- 1, 2, 3, 11, 14, 16, 17#孔直径为1.05mm;
- 4, 5, 7, 8, 9, 10, 12, 13, 15#孔直径为0.95mm;
- 6#孔直径为0.85mm;

VOOHU 苏州沃虎电子科技有限公司
Su Zhou Voohu Electronic Tech.Co.Ltd

TITLE:
SFP+ 1x1 CAGC

SIZE
A4

UNITS
MM[INCH]

GENERAL TOLERANCES
UNLESS SPECIFIED

APPROVED BY:
Geoffrey.Song

PART NO.:
WH81-111-Y0012-1

SACLE
1:1

REV
A0

$x \pm 0.35$
 $.x \pm 0.30$

$x^\circ \pm 3.0^\circ$
 $.x^\circ \pm 2.0^\circ$

CHECKED BY:
Elvis.Song

TEL: +86 400 1048 018

WEB: WWW.WOHU-TEK.COM

REMARK:

SHEET
2/2



$.xx \pm 0.25$
 $.xxx \pm 0.10$

$.xx^\circ \pm 1.5^\circ$
 $.xxx^\circ \pm 1.0^\circ$

DESIGND BY:
Sunny.Xu